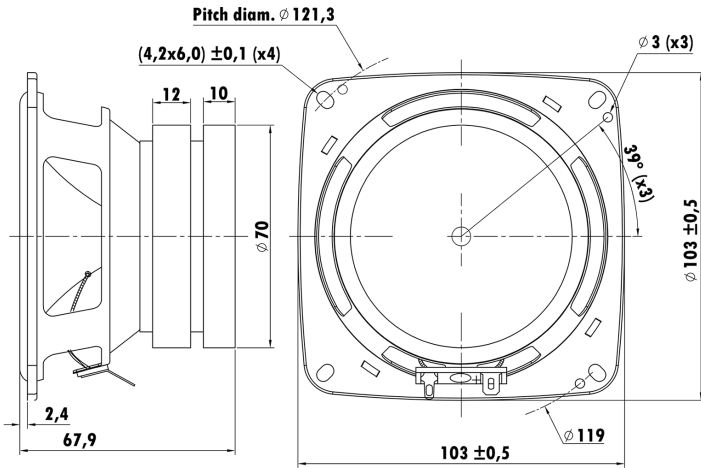


4", Steel Frame
0.8" EISVW Voice Coil, Kapton Former
PP Cone, Rubber Surround
Dual Ferrite Magnet Motor System
Linear Spider



T-S Parameters

Resonance frequency [fs]	109.8 Hz
Mechanical Q factor [Qms]	14.577
Electrical Q factor [Qes]	1.919
Total Q factor [Qts]	1.101
Force factor [Bl]	3.625 Tm
Mechanical resistance [Rms]	0.307 kg/s
Moving mass [Mms]	6.483 g
Compliance [Cms]	0.324 mm/N
Effective diaph. diameter [D]	84 mm
Effective piston area [Sd]	55.42 cm ²
Equivalent volume [Vas]	1.4087 l
Sensitivity (2.83V/1m)	90 dB
Ratio Bl/√Re	1.94 N/√W
Ratio fs/Qts	100 Hz

Electrical Data

Nominal impedance [Zn]	4 Ω
Minimum impedance [Zmin]	3.65 Ω
Maximum impedance [Zo]	25.68 Ω
DC resistance [Re]	3.5 Ω
Voice coil inductance [Le]	0.154 mH

Power Handling

100h RMS noise test (IEC 18.4)	15 W
Long-term max power (IEC 18.2)	- W

Voice Coil & Magnet Data

Voice coil diameter	20.32 mm
Voice coil height	7.0 mm
Voice coil layers	2
Height of gap	4 mm
Linear excursion	± 1.5 mm
Max mech. excursion	± - mm
Unit weight	0.613 kg

