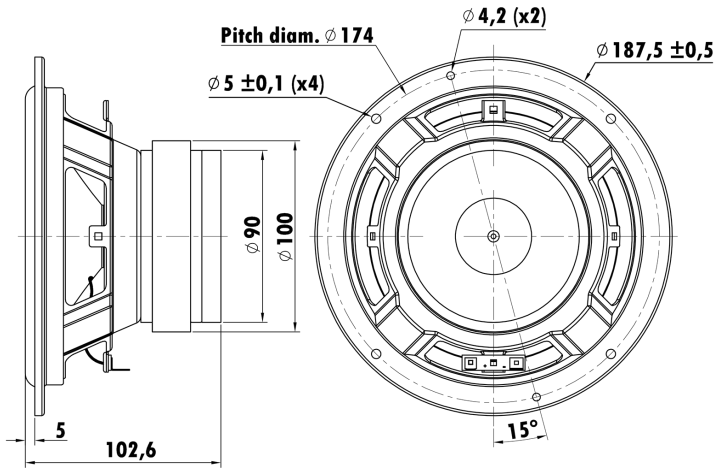


7", Steel Frame  
1.2"EISVW Voice Coil, Aluminum Former  
Paper Cone, Red Foam Surround  
Dual Ferrite Magnet Motor System  
Linear Spider



### T-S Parameters

Resonance frequency [fs]	72 Hz
Mechanical Q factor [Qms]	5.931
Electrical Q factor [Qes]	0.542
Total Q factor [Qts]	0.497
Force factor [Bl]	8.731 Tm
Mechanical resistance [Rms]	1.971 kg/s
Moving mass [Mms]	25.655 g
Compliance [Cms]	0.188 mm/N
Effective diaph. diameter [D]	143 mm
Effective piston area [Sd]	160.60 cm <sup>2</sup>
Equivalent volume [Vas]	6.855 l
Sensitivity (2.83V/1m)	89 dB
Ratio Bl/√Re	4.64 N/√W
Ratio fs/Qts	144.87 Hz

### Electrical Data

Nominal impedance [Zn]	4 $\Omega$
Minimum impedance [Zmin]	3.94 $\Omega$
Maximum impedance [Zo]	27.5 $\Omega$
DC resistance [Re]	3.54 $\Omega$
Voice coil inductance [Le]	0.591 mH

### Power Handling

100h RMS noise test (IEC 17.1)	30 W
Long-term max power (IEC 17.3)	- W

### Voice Coil & Magnet Data

Voice coil diameter	30.5 mm
Voice coil height	10 mm
Voice coil layers	4
Height of gap	6 mm
Linear excursion	$\pm 2$ mm
Max mech. excursion	$\pm -$ mm
Unit weight	1.698 kg

