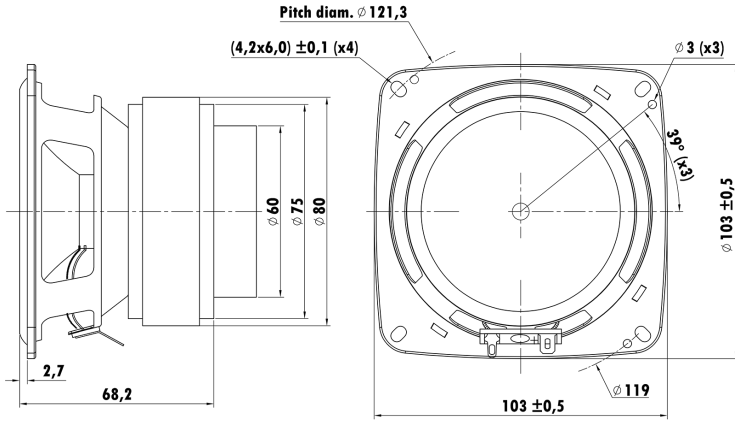


4", Steel Frame
1" EISVW Voice Coil, Glass Fiber Former
Mica Cone, Rubber Surround
Strong Ferrite Magnet Motor System
Linear Spider



T-S Parameters

Resonance frequency [fs]	94 Hz
Mechanical Q factor [Qms]	17.137
Electrical Q factor [Qes]	0.782
Total Q factor [Qts]	0.748
Force factor [Bl]	4.411 Tm
Mechanical resistance [Rms]	0.25 kg/s
Moving mass [Mms]	7.23 g
Compliance [Cms]	0.394 mm/N
Effective diaph. diameter [D]	80 mm
Effective piston area [Sd]	50.26 cm ²
Equivalent volume [Vas]	0.508 l
Sensitivity (2.83V/1m)	86 dB
Ratio Bl/√Re	2.341 N/√W
Ratio fs/Qts	125.67 Hz

Electrical Data

Nominal impedance [Zn]	4 Ω
Minimum impedance [Zmin]	3.86 Ω
Maximum impedance [Zo]	33.84 Ω
DC resistance [Re]	3.55 Ω
Voice coil inductance [Le]	0.267 mH

Power Handling

100h RMS noise test (IEC 18.4)	10 W
Long-term max power (IEC 18.2)	- W

Voice Coil & Magnet Data

Voice coil diameter	25.4 mm
Voice coil height	11.8 mm
Voice coil layers	2
Height of gap	6 mm
Linear excursion	± 2.9 mm
Max mech. excursion	± - mm
Unit weight	0.729 kg

