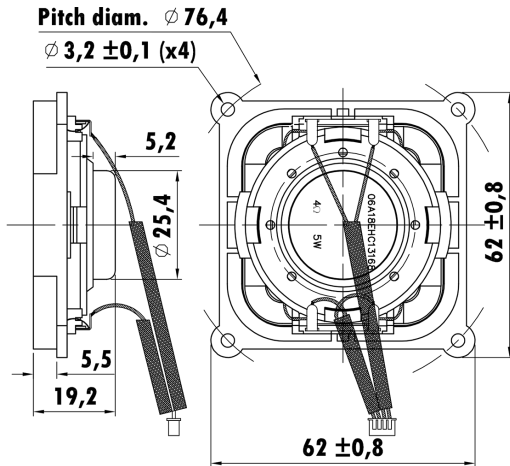


2.25" x 2.25", Plastic Frame
0.8" Dual PESVW Voice Coil, Kapton Former
Paper Cone, Rubber Surround
Neodymium Magnet Motor System
Slim Driver



T-S Parameters

Resonance frequency [fs]	150 Hz
Mechanical Q factor [Qms]	3.886
Electrical Q factor [Qes]	2.580
Total Q factor [Qts]	1.551
Force factor [Bl]	1.871 Tm
Mechanical resistance [Rms]	0.596 kg/s
Moving mass [Mms]	1.847 g
Compliance [Cms]	0.344 mm/N
Effective diaph. diameter [D]	45 mm
Effective piston area [Sd]	15.90 cm ²
Equivalent volume [Vas]	0.1231 l
Sensitivity (2.83V/1m)	81 dB
Ratio Bl/√Re	0.95 N/√W
Ratio fs/Qts	96.7 Hz

Electrical Data

Nominal impedance [Zn]	4 Ω
Minimum impedance [Zmin]	3.875 Ω
Maximum impedance [Zo]	9.025 Ω
DC resistance [Re]	3.90 Ω
Voice coil inductance [Le]	0.068 mH

Power Handling

100h RMS noise test (IEC 17.1)	5 W
Long-term max power (IEC 17.3)	- W

Voice Coil & Magnet Data

Voice coil diameter	19.4 mm
Voice coil height	3.7 mm
Voice coil layers	4
Height of gap	2 mm
Linear excursion	± 0.85 mm
Max mech. excursion	± - mm
Unit weight	0.044 kg

