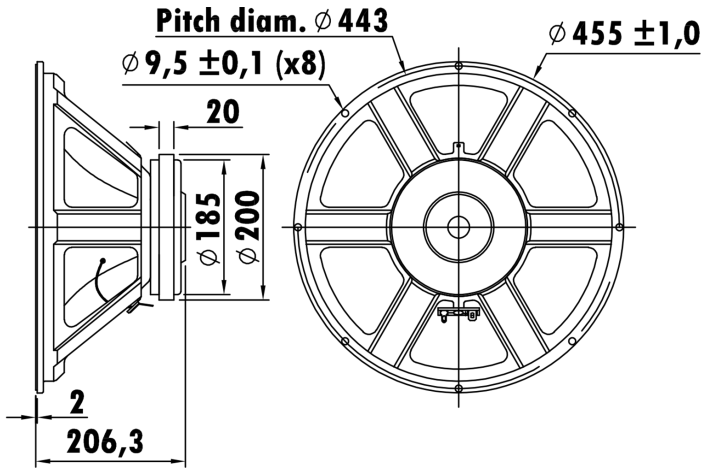


18", Steel Frame
 3" PESVW Voice Coil, Kapton Former
 Paper Cone, Cloth Surround, Long Excursion(± 6.4 mm)
 Strong Ferrite Magnet Motor System
 High Sensitivity



T-S Parameters

Resonance frequency [fs]	23 Hz
Mechanical Q factor [Qms]	13.928
Electrical Q factor [Qes]	0.257
Total Q factor [Qts]	0.253
Force factor [Bl]	21.516 Tm
Mechanical resistance [Rms]	1.544 kg/s
Moving mass [Mms]	146.621 g
Compliance [Cms]	0.317 mm/N
Effective diaph. diameter [D]	390 mm
Effective piston area [Sd]	1194.59 cm ²
Equivalent volume [Vas]	640.14 l
Sensitivity (2.83V/1m)	96 dB
Ratio Bl/ \sqrt{Re}	9.1 N/ \sqrt{W}
Ratio fs/Qts	90 Hz

Electrical Data

Nominal impedance [Zn]	8 Ω
Minimum impedance [Zmin]	6.3 Ω
Maximum impedance [Zo]	312.1 Ω
DC resistance [Re]	5.5 Ω
Voice coil inductance [Le]	0.959 mH

Power Handling

100h RMS noise test (IEC 18.4)	250 W
Long-term max power (IEC 18.2)	- W

Voice Coil & Magnet Data

Voice coil diameter	75.5 mm
Voice coil height	25.2 mm
Voice coil layers	2
Height of gap	12 mm
Linear excursion	± 6.6 mm
Max mech. excursion	\pm - mm
Unit weight	9.842 kg

