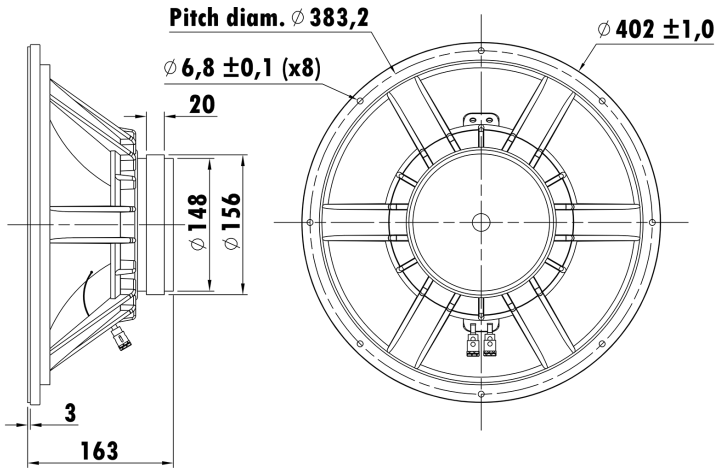


15", Die- Cast Frame
2.6" PESVW Voice Coil, Kapton Former
Paper Cone, Cloth Surround, Long Excursion($\pm 5.35\text{mm}$)
Strong Ferrite Magnet Motor System
High Sensitivity



T-S Parameters

Resonance frequency [fs]	37 Hz
Mechanical Q factor [Qms]	7.267
Electrical Q factor [Qes]	0.537
Total Q factor [Qts]	0.50
Force factor [Bl]	14.535 Tm
Mechanical resistance [Rms]	3.075 kg/s
Moving mass [Mms]	93.811 g
Compliance [Cms]	0.188 mm/N
Effective diaph. diameter [D]	320.5 mm
Effective piston area [Sd]	829.58 cm ²
Equivalent volume [Vas]	182.93 l
Sensitivity (2.83V/1m)	95 dB
Ratio Bl/ \sqrt{Re}	6.5 N/ \sqrt{W}
Ratio fs/Qts	74 Hz

Electrical Data

Nominal impedance [Zn]	8 Ω
Minimum impedance [Zmin]	5.6 Ω
Maximum impedance [Zo]	79.1 Ω
DC resistance [Re]	5.0 Ω
Voice coil inductance [Le]	0.614 mH

Power Handling

100h RMS noise test (IEC 18.4)	250 W
Long-term max power (IEC 18.2)	- W

Voice Coil & Magnet Data

Voice coil diameter	65.5 mm
Voice coil height	20.7 mm
Voice coil layers	2
Height of gap	10 mm
Linear excursion	± 5.35 mm
Max mech. excursion	\pm - mm
Unit weight	7.069 kg

