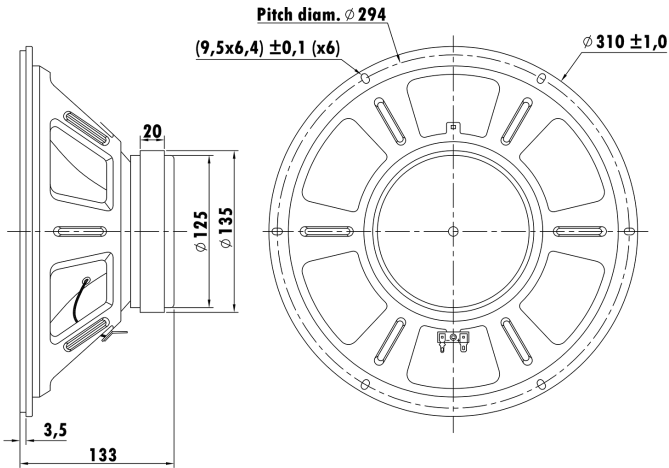


12", Steel Frame
2" PESVW Voice Coil, Kapton Former
Paper Cone, Cloth Surround, Long Excursion(± 4.6 mm)
Ferrite Magnet Motor System
High Sensitivity



T-S Parameters

Resonance frequency [fs]	48 Hz
Mechanical Q factor [Qms]	3.632
Electrical Q factor [Qes]	0.506
Total Q factor [Qts]	0.444
Force factor [Bl]	12.874 Tm
Mechanical resistance [Rms]	3.946 kg/s
Moving mass [Mms]	47.195 g
Compliance [Cms]	0.230 mm/N
Effective diaph. diameter [D]	265 mm
Effective piston area [Sd]	551.55 cm ²
Equivalent volume [Vas]	98.93 l
Sensitivity (2.83V/1m)	95 dB
Ratio Bl/ \sqrt{Re}	5.36 N/ \sqrt{W}
Ratio fs/Qts	108 Hz

Electrical Data

Nominal impedance [Zn]	8 Ω
Minimum impedance [Zmin]	6.6 Ω
Maximum impedance [Zo]	36.3 Ω
DC resistance [Re]	5.8 Ω
Voice coil inductance [Le]	0.538 mH

Power Handling

100h RMS noise test (IEC 17.1)	200 W
Long-term max power (IEC 17.3)	- W

Voice Coil & Magnet Data

Voice coil diameter	49.5 mm
Voice coil height	17.4 mm
Voice coil layers	2
Height of gap	8 mm
Linear excursion	± 4.7 mm
Max mech. excursion	\pm - mm
Unit weight	3.732 kg

