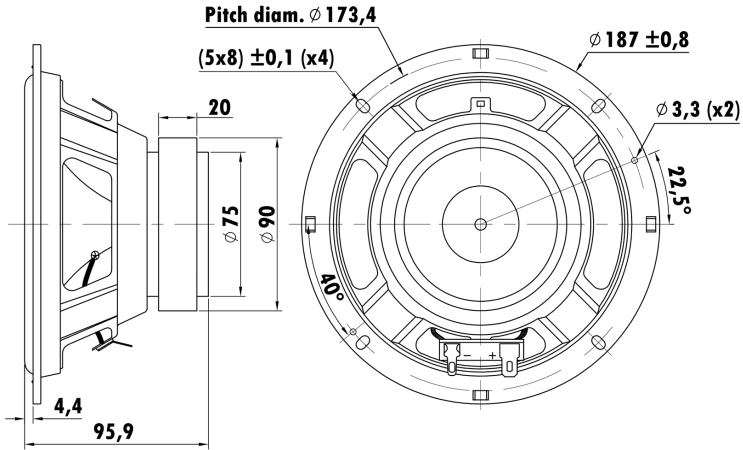


7", Steel Frame  
1" EISVW Voice Coil, Kapton Former  
PP Cone, Rubber Surround, Long Excursion(±5.5mm)  
Ferrite Magnet Motor System  
Linear Spider



### T-S Parameters

Resonance frequency [fs]	79.2 Hz
Mechanical Q factor [Qms]	5.147
Electrical Q factor [Qes]	1.604
Total Q factor [Qts]	1.223
Force factor [Bl]	5.289 Tm
Mechanical resistance [Rms]	2.383 kg/s
Moving mass [Mms]	24.638 g
Compliance [Cms]	0.164 mm/N
Effective diaph. diameter [D]	145 mm
Effective piston area [Sd]	165.13 cm <sup>2</sup>
Equivalent volume [Vas]	6.3216 l
Sensitivity (2.83V/1m)	87 dB
Ratio Bl/√Re	2.76 N/√W
Ratio fs/Qts	65 Hz

### Electrical Data

Nominal impedance [Zn]	4 Ω
Minimum impedance [Zmin]	3.93 Ω
Maximum impedance [Zo]	12.64 Ω
DC resistance [Re]	3.66 Ω
Voice coil inductance [Le]	0.338 mH

### Power Handling

100h RMS noise test (IEC 17.1)	30 W
Long-term max power (IEC 17.3)	- W

### Voice Coil & Magnet Data

Voice coil diameter	25.4 mm
Voice coil height	17 mm
Voice coil layers	2
Height of gap	6 mm
Linear excursion	± 5.5 mm
Max mech. excursion	± - mm
Unit weight	1.208 kg

