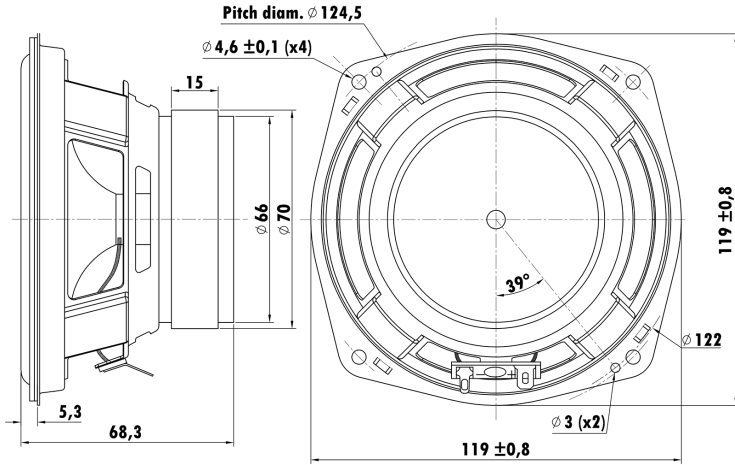


5", Steel Frame  
1" CCAW Voice Coil, Aluminum Former  
Paper Cone, Rubber Surround  
Strong Ferrite Magnet Motor System  
Linear Spider, PU Center Cap  
VC Former and Basket Vent, Low Distortion (<3%)



### T-S Parameters

Resonance frequency [fs]	65 Hz
Mechanical Q factor [Qms]	7.11
Electrical Q factor [Qes]	0.65
Total Q factor [Qts]	0.59
Force factor [Bl]	5.57 Tm
Mechanical resistance [Rms]	0.48 kg/s
Moving mass [Mms]	8.44 g
Compliance [Cms]	0.72 mm/N
Effective diaph. diameter [D]	98.5 mm
Effective piston area [Sd]	76.2 cm <sup>2</sup>
Equivalent volume [Vas]	5.88 l
Sensitivity (2.83V/1m)	86 dB
Ratio Bl/√Re	2.30 N/√W
Ratio fs/Qts	110 Hz

### Electrical Data

Nominal impedance [Zn]	6 Ω
Minimum impedance [Zmin]	5.9 Ω
Maximum impedance [Zo]	49.2 Ω
DC resistance [Re]	5.8 Ω
Voice coil inductance [Le]	0.54 mH

### Power Handling

100h RMS noise test (IEC 17.1)	30 W
Long-term max power (IEC 17.3)	60 W

### Voice Coil & Magnet Data

Voice coil diameter	25.4 mm
Voice coil height	10 mm
Voice coil layers	4
Height of gap	4 mm
Linear excursion	± 3 mm
Max mech. excursion	± - mm
Unit weight	0.602 kg

