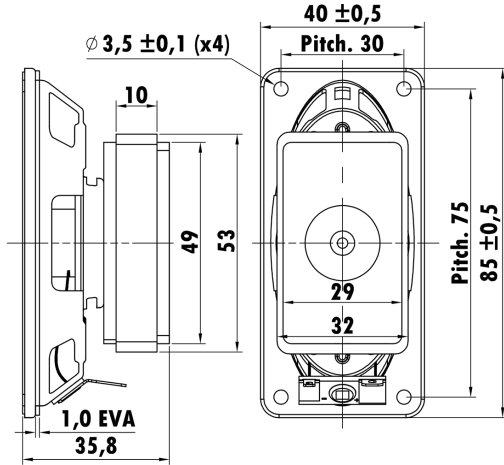


85mm x 40mm, Steel Frame
0.6" EISVW Voice Coil, Kapton Former
Paper Cone, Rubber Surround
Ferrite Magnet Motor System



T-S Parameters

Resonance frequency [fs]	172.7 Hz
Mechanical Q factor [Qms]	6.337
Electrical Q factor [Qes]	1.397
Total Q factor [Qts]	1.145
Force factor [Bl]	4.399 Tm
Mechanical resistance [Rms]	0.545 kg/s
Moving mass [Mms]	3.181 g
Compliance [Cms]	0.267 mm/N
Effective diaph. diameter [D]	73.7 x30 mm
Effective piston area [Sd]	17.37 cm ²
Equivalent volume [Vas]	0.1144 l
Sensitivity (2.83V/1m)	80 dB
Ratio Bl/√Re	1.57 N/√W
Ratio fs/Qts	150.82 Hz

Electrical Data

Nominal impedance [Zn]	8 Ω
Minimum impedance [Zmin]	7.34 Ω
Maximum impedance [Zo]	27.92 Ω
DC resistance [Re]	7.83 Ω
Voice coil inductance [Le]	0.413 mH

Power Handling

100h RMS noise test (IEC 18.4)	5 W
Long-term max power (IEC 18.2)	- W

Voice Coil & Magnet Data

Voice coil diameter	16.28 mm
Voice coil height	4.6 mm
Voice coil layers	4
Height of gap	3 mm
Linear excursion	± 0.8 mm
Max mech. excursion	± - mm
Unit weight	0.176 kg

