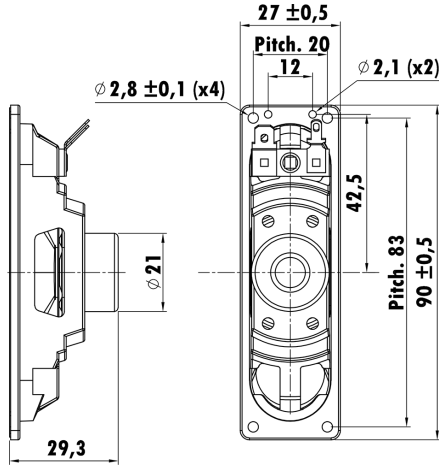


Dolby Atmos enabled
90mm x 27mm, Steel Frame
Paper Cone, Rubber Surround
0.5" CCAW Voice Coil, Aluminum Former
Dual Neodymium Magnet Motor System
VC Former and Basket Vent, Low Distortion (<3%)



T-S Parameters

Resonance frequency [fs]	204 Hz
Mechanical Q factor [Qms]	4.18
Electrical Q factor [Qes]	1.17
Total Q factor [Qts]	0.92
Force factor [Bl]	3.15 Tm
Mechanical resistance [Rms]	0.38 kg/s
Moving mass [Mms]	1.24 g
Compliance [Cms]	0.49 mm/N
Effective diaph. diameter [D]	76 x 20 mm
Effective piston area [Sd]	14.34 cm ²
Equivalent volume [Vas]	0.13 l
Sensitivity (2.83V/1m)	80 dB
Ratio Bl/√Re	1.16 N/√W
Ratio fs/Qts	221.73 Hz

Electrical Data

Nominal impedance [Zn]	8 Ω
Minimum impedance [Zmin]	6.84 Ω
Maximum impedance [Zo]	25.78 Ω
DC resistance [Re]	7.4 Ω
Voice coil inductance [Le]	0.18 mH

Power Handling

100h RMS noise test (IEC 18.4)	15 W
Long-term max power (IEC 18.2)	20 W

Voice Coil & Magnet Data

Voice coil diameter	13.28 mm
Voice coil height	4.4 mm
Voice coil layers	4
Height of gap	2 mm
Linear excursion	± 1.2 mm
Max mech. excursion	± - mm
Unit weight	0.039 kg

