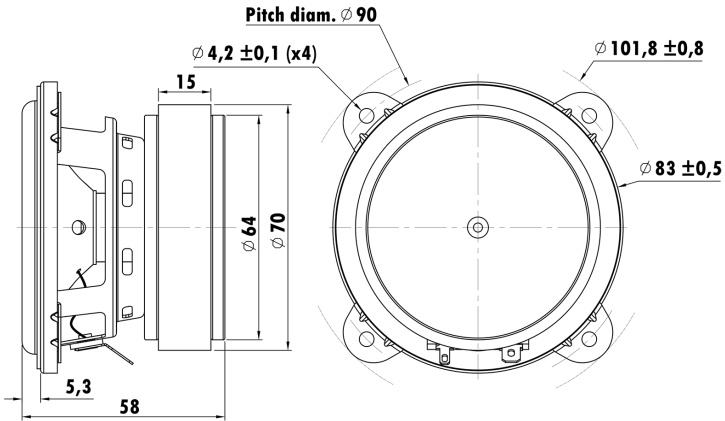


3.25", Steel Frame
 0.8" PISVW Voice Coil 3 Layer, Kapton Former
 Paper Cone Surface coating, Rubber Surround
 Ferrite Magnet Motor System
 Long Excursion (± 3.5 mm)
 Low Distortion (<3%)



T-S Parameters

Resonance frequency [fs]	90 Hz
Mechanical Q factor [Qms]	6.441
Electrical Q factor [Qes]	0.553
Total Q factor [Qts]	0.509
Force factor [Bl]	5.115 Tm
Mechanical resistance [Rms]	0.613 kg/s
Moving mass [Mms]	6.31 g
Compliance [Cms]	0.405 mm/N
Effective diaph. diameter [D]	65 mm
Effective piston area [Sd]	33.18 cm ²
Equivalent volume [Vas]	0.6313 l
Sensitivity (2.83V/1m)	84 dB
Ratio Bl/ \sqrt{Re}	2.9 N/ \sqrt{W}
Ratio fs/Qts	196 Hz

Electrical Data

Nominal impedance [Zn]	4 Ω
Minimum impedance [Zmin]	3.8 Ω
Maximum impedance [Zo]	42 Ω
DC resistance [Re]	3.6 Ω
Voice coil inductance [Le]	0.482 mH

Power Handling

100h RMS noise test (IEC 18.4)	15 W
Long-term max power (IEC 18.2)	30 W

Voice Coil & Magnet Data

Voice coil diameter	19.4 mm
Voice coil height	11 mm
Voice coil layers	3
Height of gap	4 mm
Linear excursion	± 3.5 mm
Max mech. excursion	\pm - mm
Unit weight	0.53 kg

