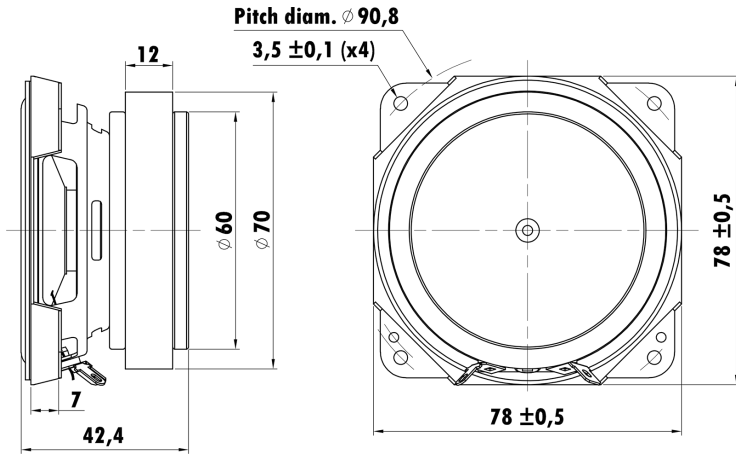


3", Steel Frame
0.8" EISVW Voice Coil, Kapton Former
Paper Cone, Rubber Surround
Ferrite Magnet Motor System
Linear Spider



T-S Parameters

Resonance frequency [fs]	95 Hz
Mechanical Q factor [Qms]	4.91
Electrical Q factor [Qes]	0.45
Total Q factor [Qts]	0.41
Force factor [Bl]	6.32 Tm
Mechanical resistance [Rms]	0.69 kg/s
Moving mass [Mms]	5.69 g
Compliance [Cms]	0.49 mm/N
Effective diaph. diameter [D]	63 mm
Effective piston area [Sd]	31.17 cm ²
Equivalent volume [Vas]	0.67 l
Sensitivity (2.83V/1m)	84 dB
Ratio Bl/√Re	2.75 N/√W
Ratio fs/Qts	226.19 Hz

Electrical Data

Nominal impedance [Zn]	6 Ω
Minimum impedance [Zmin]	5.9 Ω
Maximum impedance [Zo]	53 Ω
DC resistance [Re]	5.3 Ω
Voice coil inductance [Le]	0.72 mH

Power Handling

100h RMS noise test (IEC 17.1)	20 W
Long-term max power (IEC 17.3)	40 W

Voice Coil & Magnet Data

Voice coil diameter	20.32 mm
Voice coil height	8.6 mm
Voice coil layers	4
Height of gap	4 mm
Linear excursion	± 2.3 mm
Max mech. excursion	± - mm
Unit weight	0.42 kg

