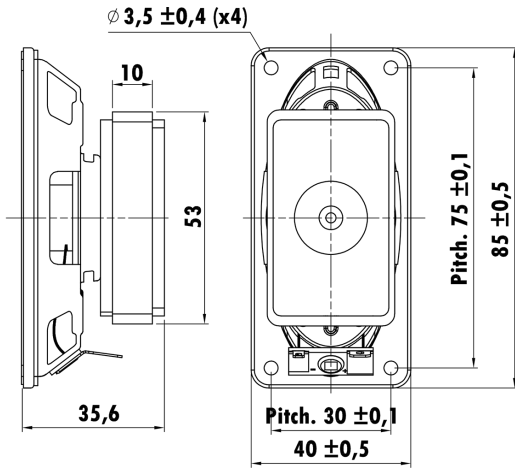


85mm x 40mm, Steel Frame  
0.6" PESVW Voice Coil, Kapton Former  
Paper Cone, Rubber Surround  
Strong Ferrite Magnet Motor System  
For TV or Soundbar Product



### T-S Parameters

Resonance frequency [fs]	198.6 Hz
Mechanical Q factor [Qms]	6.6
Electrical Q factor [Qes]	3.054
Total Q factor [Qts]	2.088
Force factor [Bl]	2.348 Tm
Mechanical resistance [Rms]	0.350 kg/s
Moving mass [Mms]	1.851 g
Compliance [Cms]	0.347 mm/N
Effective diaph. diameter [D]	73.7 x30 mm
Effective piston area [Sd]	17.4 cm <sup>2</sup>
Equivalent volume [Vas]	0.1504 l
Sensitivity (2.83V/1m)	80 dB
Ratio Bl/√Re	0.869 N/√W
Ratio fs/Qts	95.1149 Hz

### Electrical Data

Nominal impedance [Zn]	8 Ω
Minimum impedance [Zmin]	7.5 Ω
Maximum impedance [Zo]	16.815 Ω
DC resistance [Re]	7.29 Ω
Voice coil inductance [Le]	0.085 mH

### Power Handling

100h RMS noise test (IEC 18.4)	5 W
Long-term max power (IEC 18.2)	- W

### Voice Coil & Magnet Data

Voice coil diameter	16.28 mm
Voice coil height	4.4 mm
Voice coil layers	2+2
Height of gap	3 mm
Linear excursion	± 0.7 mm
Max mech. excursion	± - mm
Unit weight	0.1725 kg

