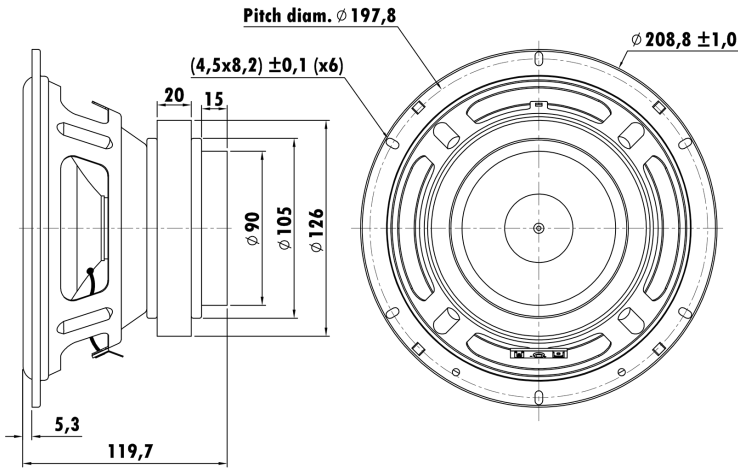


8", Steel Frame
1.4" 1-PISVW Voice Coil, GFB-P Former
Paper Cone, Rubber Surround
Dual Ferrite Magnet Motor System
High Sensitivity



T-S Parameters

Resonance frequency [fs]	67.6 Hz
Mechanical Q factor [Qms]	6.509
Electrical Q factor [Qes]	0.555
Total Q factor [Qts]	0.512
Force factor [Bl]	10.437 Tm
Mechanical resistance [Rms]	2.868 kg/s
Moving mass [Mms]	43.972 g
Compliance [Cms]	0.126 mm/N
Effective diaph. diameter [D]	162 mm
Effective piston area [Sd]	206.12 cm ²
Equivalent volume [Vas]	7.5869 l
Sensitivity (2.83V/1m)	93 dB
Ratio Bl/√Re	5.798 N/√W
Ratio fs/Qts	132.03 Hz

Electrical Data

Nominal impedance [Zn]	4 Ω
Minimum impedance [Zmin]	3.933 Ω
Maximum impedance [Zo]	36.444 Ω
DC resistance [Re]	3.24 Ω
Voice coil inductance [Le]	1.031 mH

Power Handling

100h RMS noise test (IEC 17.1)	50 W
Long-term max power (IEC 17.3)	- W

Voice Coil & Magnet Data

Voice coil diameter	35.5 mm
Voice coil height	14.3 mm
Voice coil layers	4
Height of gap	6 mm
Linear excursion	± 4.15 mm
Max mech. excursion	± - mm
Unit weight	2.3 kg

