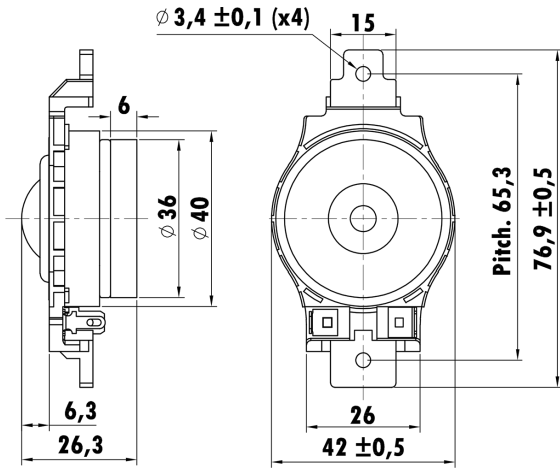


0.8", Plastic Frame
Textile Dome Diaphragm
Dual Ferrite Magnet Motor System
With Ferrofluid-Cooled



T-S Parameters

Resonance frequency [fs]	1818.1 Hz
Mechanical Q factor [Qms]	0.869
Electrical Q factor [Qes]	8.869
Total Q factor [Qts]	0.791
Force factor [Bl]	1.088 Tm
Mechanical resistance [Rms]	2.208 kg/s
Moving mass [Mms]	0.168 g
Compliance [Cms]	0.046 mm/N
Effective diaph. diameter [D]	24.5 mm
Effective piston area [Sd]	4.71 cm ²
Equivalent volume [Vas]	0.0017 l
Sensitivity (2.83V/1m)	82 dB
Ratio Bl/√Re	0.46 N/√W
Ratio fs/Qts	2298 Hz

Electrical Data

Nominal impedance [Zn]	6 Ω
Minimum impedance [Zmin]	5.33 Ω
Maximum impedance [Zo]	5.47 Ω
DC resistance [Re]	5.48 Ω
Voice coil inductance [Le]	0.026 mH

Power Handling

100h RMS noise test (IEC 18.4)	5 W
Long-term max power (IEC 18.2)	- W

Voice Coil & Magnet Data

Voice coil diameter	20.32 mm
Voice coil height	1.1 mm
Voice coil layers	2
Height of gap	2 mm
Linear excursion	± 0.45 mm
Max mech. excursion	± - mm
Unit weight	0.12 kg

