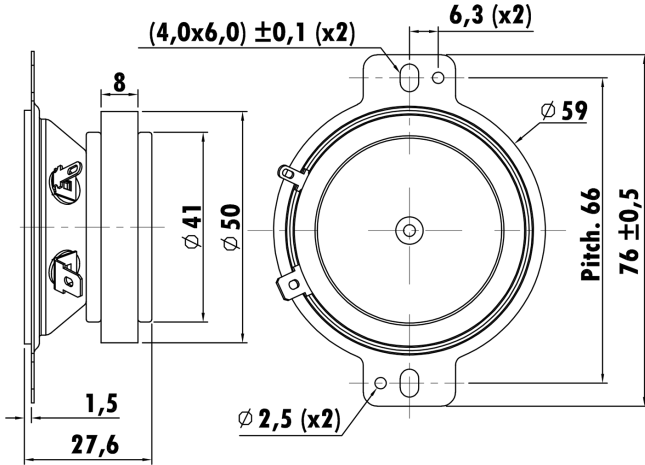


2", Steel Frame
0.5" EICCAW Voice Coil, Kapton Former
White Paper Cone
Ferrite Magnet Motor System
With Ferrofluid-Cooled
High Sensitivity



T-S Parameters

Resonance frequency [fs]	1940 Hz
Mechanical Q factor [Qms]	0.134
Electrical Q factor [Qes]	4.031
Total Q factor [Qts]	0.129
Force factor [Bl]	2.503 Tm
Mechanical resistance [Rms]	28.265 kg/s
Moving mass [Mms]	0.31 g
Compliance [Cms]	0.022 mm/N
Effective diaph. diameter [D]	43 mm
Effective piston area [Sd]	14.52 cm ²
Equivalent volume [Vas]	0.0065 l
Sensitivity (2.83V/1m)	92 dB
Ratio Bl/√Re	0.97 N/√W
Ratio fs/Qts	15038 Hz

Electrical Data

Nominal impedance [Zn]	8 Ω
Minimum impedance [Zmin]	7.0 Ω
Maximum impedance [Zo]	7.9 Ω
DC resistance [Re]	6.7 Ω
Voice coil inductance [Le]	0.053 mH

Power Handling

100h RMS noise test (IEC 17.1)	15 W
Long-term max power (IEC 17.3)	- W

Voice Coil & Magnet Data

Voice coil diameter	13.21 mm
Voice coil height	2.3 mm
Voice coil layers	2
Height of gap	3.2 mm
Linear excursion	± 0.45 mm
Max mech. excursion	± - mm
Unit weight	0.153 kg

