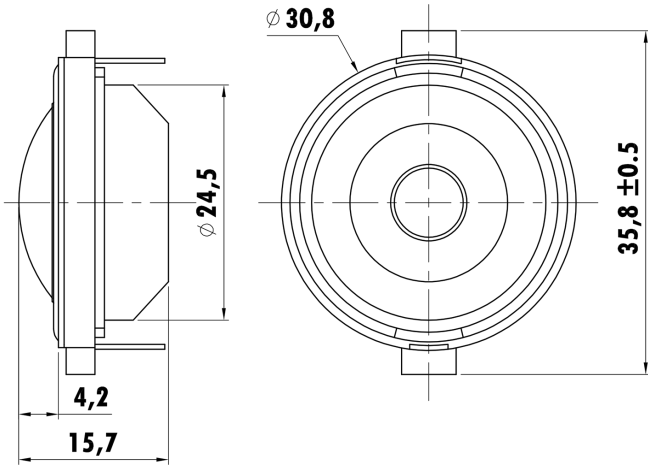


Dolby Atmos enabled  
0.8", Plastic Frame  
Textile Dome Diaphragm  
Dual Neodymium Magnet Motor System  
With Ferrofluid-Cooled  
Extended Frequency to 40KHz, Low Distortion(<3%)



### T-S Parameters

Resonance frequency [fs]	2000 Hz
Mechanical Q factor [Qms]	2.00
Electrical Q factor [Qes]	4.33
Total Q factor [Qts]	1.37
Force factor [Bl]	2.20 Tm
Mechanical resistance [Rms]	1.38 kg/s
Moving mass [Mms]	0.20 g
Compliance [Cms]	0.03 mm/N
Effective diaph. diameter [D]	23.5 mm
Effective piston area [Sd]	4.3 cm <sup>2</sup>
Equivalent volume [Vas]	0.0007 l
Sensitivity (2.83V/1m)	88 dB
Ratio Bl/√Re	0.80 N/√W
Ratio fs/Qts	1610.5 Hz

### Electrical Data

Nominal impedance [Zn]	8 Ω
Minimum impedance [Zmin]	6.89 Ω
Maximum impedance [Zo]	10.6 Ω
DC resistance [Re]	6.9 Ω
Voice coil inductance [Le]	0.04 mH

### Power Handling

100h RMS noise test (IEC 17.1)	50 W
Long-term max power (IEC 17.3)	- W

### Voice Coil & Magnet Data

Voice coil diameter	19.4 mm
Voice coil height	1.7 mm
Voice coil layers	2
Height of gap	2 mm
Linear excursion	± 0.15 mm
Max mech. excursion	± - mm
Unit weight	0.033 kg

