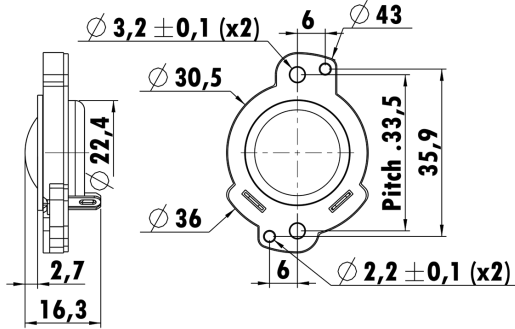


0.6", Plastic Frame
0.6" CCAW Voice Coil, Aluminum Former
Textile Dome Diaphragm
Neodymium Magnet Motor System
Power Handling with 2nd HP Filter @6KHz



T-S Parameters

Resonance frequency [fs]	1683 Hz
Mechanical Q factor [Qms]	6.421
Electrical Q factor [Qes]	4.008
Total Q factor [Qts]	2.467
Force factor [Bl]	1.474 Tm
Mechanical resistance [Rms]	0.245 kg/s
Moving mass [Mms]	0.149 g
Compliance [Cms]	0.06 mm/N
Effective diaph. diameter [D]	19 mm
Effective piston area [Sd]	2.84 cm ²
Equivalent volume [Vas]	0.0007 l
Sensitivity (2.83V/1m)	84 dB
Ratio Bl/√Re	0.273 N/√W
Ratio fs/Qts	682.21 Hz

Electrical Data

Nominal impedance [Zn]	6 Ω
Minimum impedance [Zmin]	5.39 Ω
Maximum impedance [Zo]	12.92 Ω
DC resistance [Re]	5.4 Ω
Voice coil inductance [Le]	0.035 mH

Power Handling

100h RMS noise test (IEC 18.4)	15 W
Long-term max power (IEC 18.2)	30 W

Voice Coil & Magnet Data

Voice coil diameter	16.28 mm
Voice coil height	2.0 mm
Voice coil layers	2
Height of gap	2 mm
Linear excursion	± 0 mm
Max mech. excursion	± - mm
Unit weight	0.0234 kg

