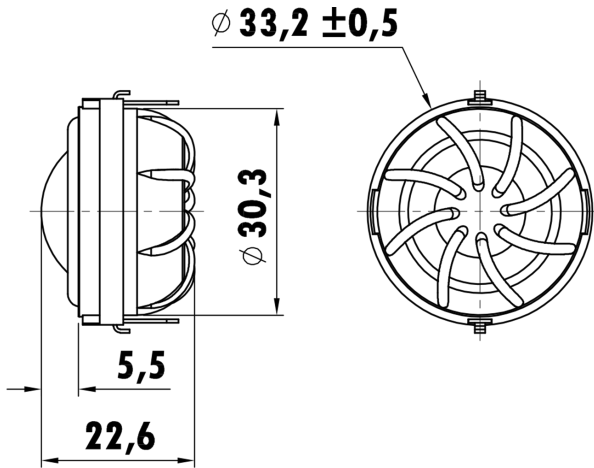


0.8", Plastic Frame
0.8" PESVW Voice Coil , Aluminum Former
Silk Diaphragm , FIXED Surround
Neodymium Magnet Motor System



Prototype

T-S Parameters

Resonance frequency [fs]	900 Hz
Mechanical Q factor [Qms]	8.826
Electrical Q factor [Qes]	3.116
Total Q factor [Qts]	2.303
Force factor [Bl]	1.7 Tm
Mechanical resistance [Rms]	0.122 kg/s
Moving mass [Mms]	0.188 g
Compliance [Cms]	0.163 mm/N
Effective diaph. diameter [D]	24.0 mm
Effective piston area [Sd]	4.52 cm ²
Equivalent volume [Vas]	0.0047 l
Sensitivity (2.83V/1m)	83 dB
Ratio Bl/√Re	0.636 N/√W
Ratio fs/Qts	390.795 Hz

Electrical Data

Nominal impedance [Zn]	8 Ω
Minimum impedance [Zmin]	7.0 Ω
Maximum impedance [Zo]	20 Ω
DC resistance [Re]	7.2 Ω
Voice coil inductance [Le]	0.028 mH

Power Handling

100h RMS noise test (IEC 18.4)	5 W
Long-term max power (IEC 18.2)	W

Voice Coil & Magnet Data

Voice coil diameter	19.4 mm
Voice coil height	1.8 mm
Voice coil layers	2
Height of gap	1.8 mm
Linear excursion	± 0.35 mm
Max mech. excursion	± - mm
Unit weight	0.042 kg

