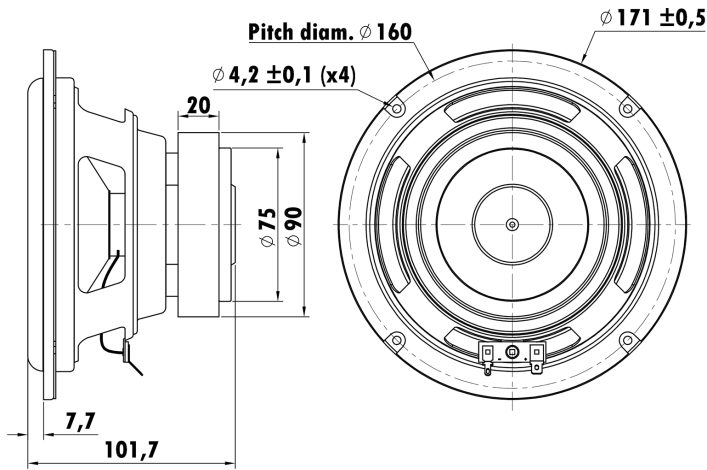


6.5", Steel Frame
1.2" EISVW Voice Coil, Aluminum Former
Paper Cone, Rubber Surround
Strong Ferrite Magnet Motor System
Linear Spider



T-S Parameters

Resonance frequency [fs]	75 Hz
Mechanical Q factor [Qms]	5.188
Electrical Q factor [Qes]	1.011
Total Q factor [Qts]	0.846
Force factor [Bl]	7.914 Tm
Mechanical resistance [Rms]	3.48 kg/s
Moving mass [Mms]	38.143 g
Compliance [Cms]	0.117 mm/N
Effective diaph. diameter [D]	128 mm
Effective piston area [Sd]	128.67 cm ²
Equivalent volume [Vas]	2.743 l
Sensitivity (2.83V/1m)	85 dB
Ratio Bl/√Re	4.23 N/√W
Ratio fs/Qts	88.65 Hz

Electrical Data

Nominal impedance [Zn]	4 Ω
Minimum impedance [Zmin]	4.01 Ω
Maximum impedance [Zo]	13.69 Ω
DC resistance [Re]	3.5 Ω
Voice coil inductance [Le]	1.057 mH

Power Handling

100h RMS noise test (IEC 17.1)	50 W
Long-term max power (IEC 17.3)	- W

Voice Coil & Magnet Data

Voice coil diameter	30.5 mm
Voice coil height	14.5 mm
Voice coil layers	4
Height of gap	6 mm
Linear excursion	± 4.25 mm
Max mech. excursion	± - mm
Unit weight	1.248 kg

