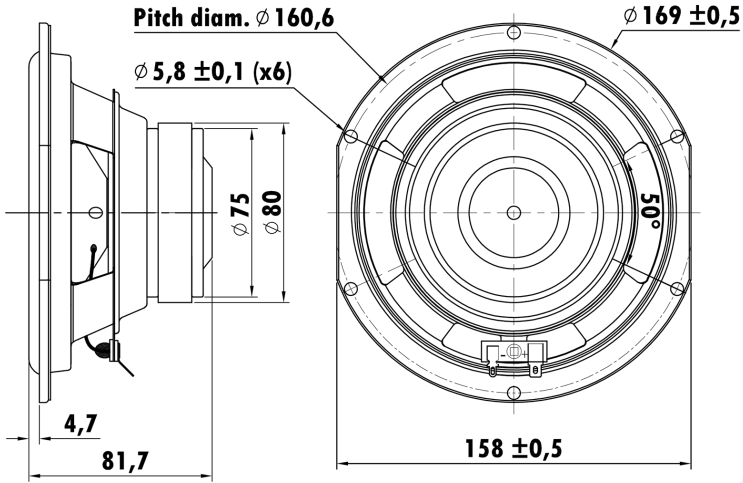


6.5", Steel Frame
1.2" PESVW Voice Coil, Aluminum Former
Paper Cone, Rubber Surround
Ferrite Magnet Motor System
Cone Under Center Cap Vent, Low Distortion (<3%)



T-S Parameters

Resonance frequency [fs]	72 Hz
Mechanical Q factor [Qms]	5.392
Electrical Q factor [Qes]	1.454
Total Q factor [Qts]	1.145
Force factor [Bl]	5.759 Tm
Mechanical resistance [Rms]	2.543 kg/s
Moving mass [Mms]	30.209 g
Compliance [Cms]	0.161 mm/N
Effective diaph. diameter [D]	130 mm
Effective piston area [Sd]	132.7 cm ²
Equivalent volume [Vas]	4.00 l
Sensitivity (2.83V/1m)	86 dB
Ratio Bl/√Re	3.08 N/√W
Ratio fs/Qts	62.88 Hz

Electrical Data

Nominal impedance [Zn]	4 Ω
Minimum impedance [Zmin]	3.94 Ω
Maximum impedance [Zo]	15.43 Ω
DC resistance [Re]	3.5 Ω
Voice coil inductance [Le]	0.91 mH

Power Handling

100h RMS noise test (IEC 18.4)	30 W
Long-term max power (IEC 18.2)	- W

Voice Coil & Magnet Data

Voice coil diameter	29.5 mm
Voice coil height	10 mm
Voice coil layers	4
Height of gap	5 mm
Linear excursion	± 2.5 mm
Max mech. excursion	± - mm
Unit weight	0.875 kg

