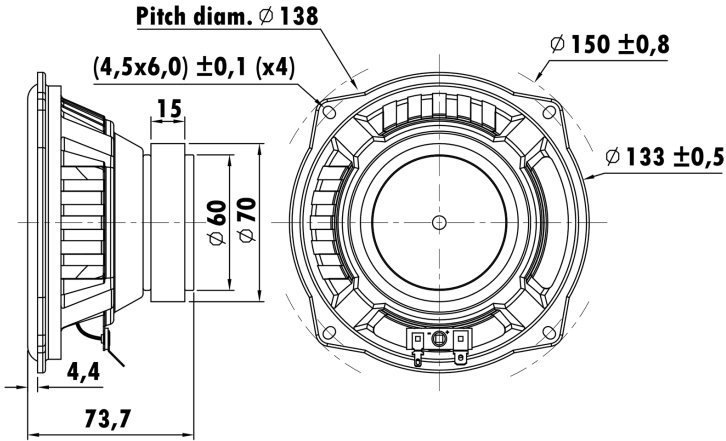


5.25", Steel Frame  
1" PESVW Voice Coil, Aluminum Former  
Paper Cone, Rubber Surround  
Strong Ferrite Magnet Motor System



### T-S Parameters

Resonance frequency [fs]	79.3 Hz
Mechanical Q factor [Qms]	5.197
Electrical Q factor [Qes]	1.099
Total Q factor [Qts]	0.907
Force factor [Bl]	4.219 Tm
Mechanical resistance [Rms]	1.581 kg/s
Moving mass [Mms]	16.496 g
Compliance [Cms]	0.244 mm/N
Effective diaph. diameter [D]	112 mm
Effective piston area [Sd]	98.52 cm <sup>2</sup>
Equivalent volume [Vas]	3.3559 l
Sensitivity (2.83V/1m)	86 dB
Ratio Bl/√Re	2.735 N/√W
Ratio fs/Qts	87.4 Hz

### Electrical Data

Nominal impedance [Zn]	3 Ω
Minimum impedance [Zmin]	2.914 Ω
Maximum impedance [Zo]	9.221 Ω
DC resistance [Re]	2.38 Ω
Voice coil inductance [Le]	0.42 mH

### Power Handling

100h RMS noise test (IEC 18.4)	30 W
Long-term max power (IEC 18.2)	- W

### Voice Coil & Magnet Data

Voice coil diameter	25.4 mm
Voice coil height	8.5 mm
Voice coil layers	4
Height of gap	4 mm
Linear excursion	± 2.25 mm
Max mech. excursion	± - mm
Unit weight	0.553 kg

