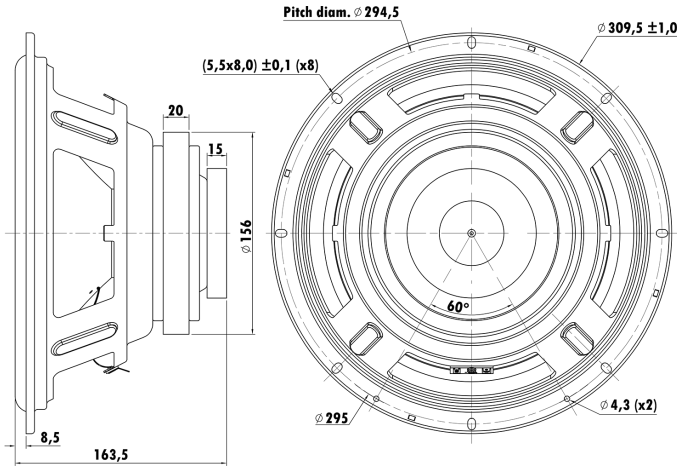


12", Steel Frame  
2.58" 1-PISV2W Voice Coil, GFB-P Former  
Mica Cone, Foam PU Surround  
Dual Ferrite Magnet Motor System  
Subwoofer, High Power Handling



### T-S Parameters

Resonance frequency [fs]	36.5 Hz
Mechanical Q factor [Qms]	15.084
Electrical Q factor [Qes]	0.541
Total Q factor [Qts]	0.523
Force factor [Bl]	21.192 Tm
Mechanical resistance [Rms]	1.556 kg/s
Moving mass [Mms]	102.218 g
Compliance [Cms]	0.186 mm/N
Effective diaph. diameter [D]	251.5 mm
Effective piston area [Sd]	496.78 cm <sup>2</sup>
Equivalent volume [Vas]	64.8012 l
Sensitivity (2.83V/1m)	88 dB
Ratio Bl/√Re	6.584 N/√W
Ratio fs/Qts	69.79 Hz

### Electrical Data

Nominal impedance [Zn]	12 Ω
Minimum impedance [Zmin]	12.5 Ω
Maximum impedance [Zo]	209.77 Ω
DC resistance [Re]	10.36 Ω
Voice coil inductance [Le]	1.999 mH

### Power Handling

100h RMS noise test (IEC 18.4)	70 W
Long-term max power (IEC 18.2)	- W

### Voice Coil & Magnet Data

Voice coil diameter	65.5 mm
Voice coil height	16.8 mm
Voice coil layers	4
Height of gap	8 mm
Linear excursion	± 4.4 mm
Max mech. excursion	± - mm
Unit weight	4.69 kg

