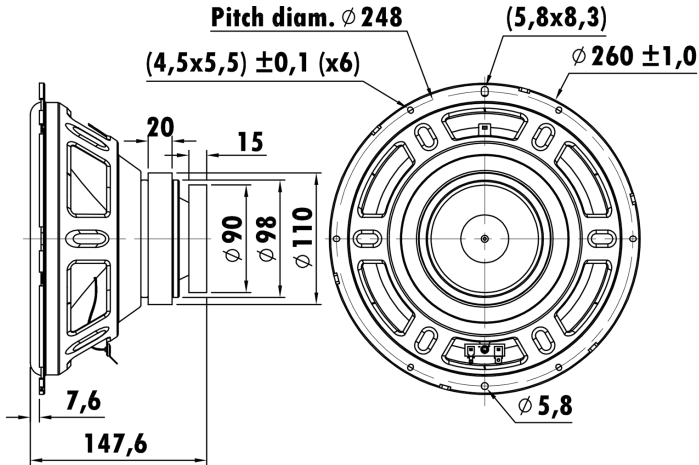


10", Steel Frame
 1.77" 1-APISV2W Voice Coil, Aluminum Former
 Mica Cone, Foam PU Surround
 Dual Ferrite Magnet Motor System
 Subwoofer, High Power Handling



T-S Parameters

Resonance frequency [fs]	48.4 Hz
Mechanical Q factor [Qms]	7.056
Electrical Q factor [Qes]	0.816
Total Q factor [Qts]	0.731
Force factor [Bl]	11.194 Tm
Mechanical resistance [Rms]	2.776 kg/s
Moving mass [Mms]	64.415 g
Compliance [Cms]	0.168 mm/N
Effective diaph. diameter [D]	206 mm
Effective piston area [Sd]	333.29 cm ²
Equivalent volume [Vas]	26.3904 l
Sensitivity (2.83V/1m)	87 dB
Ratio Bl/√Re	4.9 N/√W
Ratio fs/Qts	66.2 Hz

Electrical Data

Nominal impedance [Zn]	6 Ω
Minimum impedance [Zmin]	6.78 Ω
Maximum impedance [Zo]	36.68 Ω
DC resistance [Re]	5.22 Ω
Voice coil inductance [Le]	1.690 mH

Power Handling

100h RMS noise test (IEC 18.4)	60 W
Long-term max power (IEC 18.2)	- W

Voice Coil & Magnet Data

Voice coil diameter	44.91 mm
Voice coil height	14.5 mm
Voice coil layers	4
Height of gap	6 mm
Linear excursion	± 4.25 mm
Max mech. excursion	\pm - mm
Unit weight	2.670 kg

