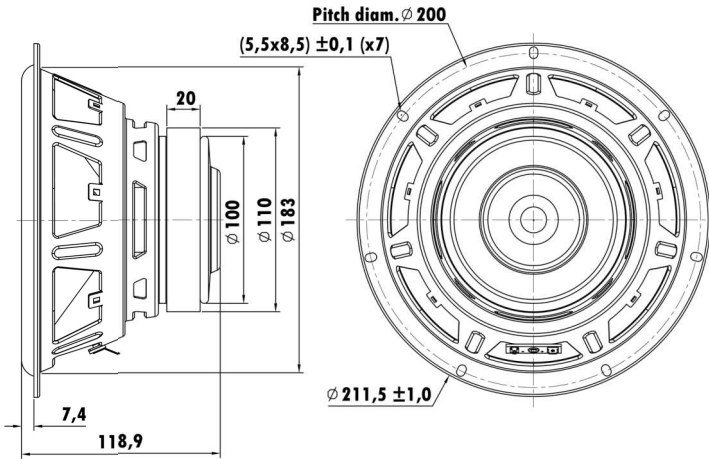


8", black lacquered iron basin  
1.5" EISVCCA W Voice Coil , BHD Former  
8 " , pulp carcass rubber edge folding ring  
Strong Ferrite Magnet Motor System  
Center aluminum ring  
Suitable for sound box subwoofer



### T-S Parameters

Resonance frequency [fs]	42.8 Hz
Mechanical Q factor [Qms]	6.56
Electrical Q factor [Qes]	0.64
Total Q factor [Qts]	0.59
Force factor [Bl]	8.44 Tm
Mechanical resistance [Rms]	2.09 kg/s
Moving mass [Mms]	51.09 g
Compliance [Cms]	0.27 mm/N
Effective diaph. diameter [D]	165.4 mm
Effective piston area [Sd]	214.86 cm <sup>2</sup>
Equivalent volume [Vas]	17.641 l
Sensitivity (2.83V/1m)	88 dB
Ratio Bl/ $\sqrt{Re}$	4.57 N/ $\sqrt{W}$
Ratio fs/Qts	72.54 Hz

### Electrical Data

Nominal impedance [Zn]	4 $\Omega$
Minimum impedance [Zmin]	3.2 $\Omega$
Maximum impedance [Zo]	29 $\Omega$
DC resistance [Re]	3.4 $\Omega$
Voice coil inductance [Le]	0.73 mH

### Power Handling

100h RMS noise test (IEC 18.4)	45 W
Long-term max power (IEC 18.2)	- W

### Voice Coil & Magnet Data

Voice coil diameter	38.55 mm
Voice coil height	18 mm
Voice coil layers	4
Height of gap	5 mm
Linear excursion	$\pm 6.5$ mm
Max mech. excursion	$\pm$ - mm
Unit weight	1.946 kg

