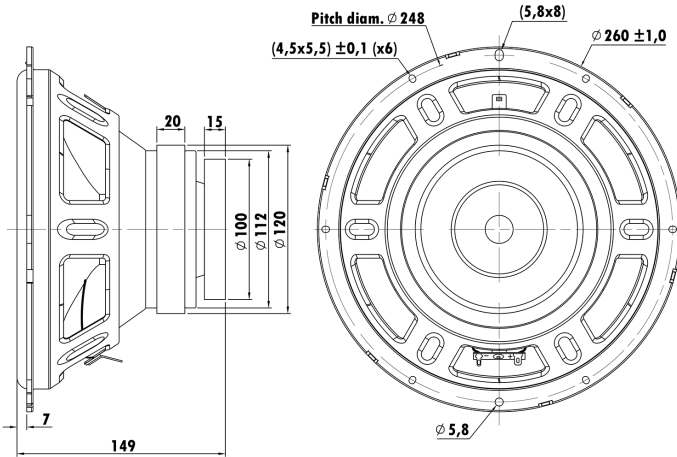


10", Steel Frame
 1.9" 1-APISV2W Voice Coil, Aluminum Former
 Paper Cone, Foam Surround
 Dual Ferrite Magnet Motor System
 Subwoofer, High Power Handling



T-S Parameters

Resonance frequency [fs]	51.8 Hz
Mechanical Q factor [Qms]	5.804
Electrical Q factor [Qes]	0.625
Total Q factor [Qts]	0.564
Force factor [Bl]	13.709 Tm
Mechanical resistance [Rms]	4.001 kg/s
Moving mass [Mms]	71.413 g
Compliance [Cms]	0.132 mm/N
Effective diaph. diameter [D]	207 mm
Effective piston area [Sd]	336.54 cm ²
Equivalent volume [Vas]	21.2242 l
Sensitivity (2.83V/1m)	89 dB
Ratio Bl/ \sqrt{Re}	6.094 N/ \sqrt{W}
Ratio fs/Qts	91.844 Hz

Electrical Data

Nominal impedance [Zn]	6 Ω
Minimum impedance [Zmin]	5.123 Ω
Maximum impedance [Zo]	34.269 Ω
DC resistance [Re]	5.06 Ω
Voice coil inductance [Le]	1.847 mH

Power Handling

100h RMS noise test (IEC 18.4)	60 W
Long-term max power (IEC 18.2)	- W

Voice Coil & Magnet Data

Voice coil diameter	49.5 mm
Voice coil height	17.6 mm
Voice coil layers	4
Height of gap	8 mm
Linear excursion	± 4.8 mm
Max mech. excursion	$\pm -$ mm
Unit weight	3.370 kg

