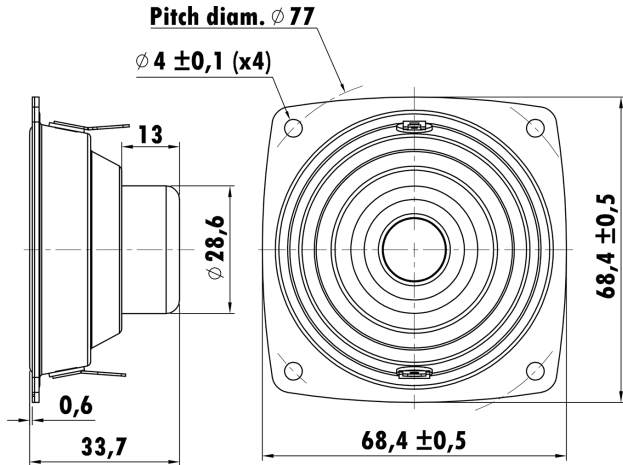


2.5", Steel Frame
 0.8" CCAW Voice Coil, Kapton Former
 Paper Cone, Cloth Surround
 Dual Neodymium Magnet Motor System
 High Sensitivity



T-S Parameters

Resonance frequency [fs]	540 Hz
Mechanical Q factor [Qms]	14.339
Electrical Q factor [Qes]	2.684
Total Q factor [Qts]	2.261
Force factor [Bl]	3.205 Tm
Mechanical resistance [Rms]	0.563 kg/s
Moving mass [Mms]	2.349 g
Compliance [Cms]	0.036 mm/N
Effective diaph. diameter [D]	49 mm
Effective piston area [Sd]	18.86 cm ²
Equivalent volume [Vas]	0.0181 l
Sensitivity (2.83V/1m)	88 dB
Ratio Bl/√Re	1.738 N/√W
Ratio fs/Qts	238.8 Hz

Electrical Data

Nominal impedance [Zn]	4 Ω
Minimum impedance [Zmin]	3.68 Ω
Maximum impedance [Zo]	20.51 Ω
DC resistance [Re]	3.4 Ω
Voice coil inductance [Le]	0.072 mH

Power Handling

100h RMS noise test (IEC 18.4)	3 W
Long-term max power (IEC 18.2)	- W

Voice Coil & Magnet Data

Voice coil diameter	20.32 mm
Voice coil height	4.9 mm
Voice coil layers	2
Height of gap	4 mm
Linear excursion	± 0.45 mm
Max mech. excursion	± - mm
Unit weight	0.089 kg

