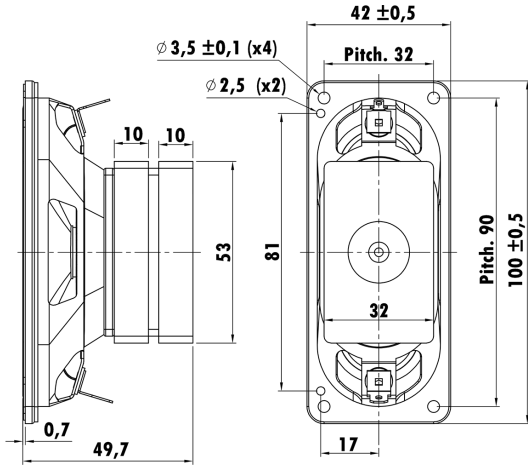


100mm x 42mm, Steel Frame
0.6" EISVW Voice Coil, Kapton Former
Paper Cone, Cloth Surround
Dual Ferrite Magnet Motor System
Low Distortion (<3%)
Power Handling with High pass filter -24dB/OCT 150 Hz



T-S Parameters

Resonance frequency [fs]	210.9 Hz
Mechanical Q factor [Qms]	3.815
Electrical Q factor [Qes]	2.01
Total Q factor [Qts]	1.316
Force factor [Bl]	2.203 Tm
Mechanical resistance [Rms]	0.752 kg/s
Moving mass [Mms]	2.148 g
Compliance [Cms]	0.261 mm/N
Effective diaph. diameter [D]	83.2 x32 mm
Effective piston area [Sd]	24.43 cm ²
Equivalent volume [Vas]	0.934 l
Sensitivity (2.83V/1m)	84 dB
Ratio Bl/√Re	1.197 N/√W
Ratio fs/Qts	161.39 Hz

Electrical Data

Nominal impedance [Zn]	4 Ω
Minimum impedance [Zmin]	3.33 Ω
Maximum impedance [Zo]	8.28 Ω
DC resistance [Re]	3.51 Ω
Voice coil inductance [Le]	0.046 mH

Power Handling

100h RMS noise test (IEC 18.4)	36 W
Long-term max power (IEC 18.2)	- W

Voice Coil & Magnet Data

Voice coil diameter	14.28 mm
Voice coil height	6.6 mm
Voice coil layers	2
Height of gap	3 mm
Linear excursion	± 1.8 mm
Max mech. excursion	± - mm
Unit weight	0.244 kg

