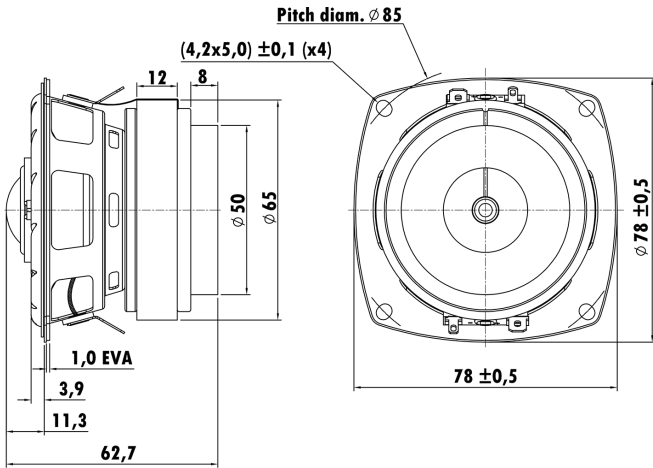


3", Steel Frame+0.8", Plastic Frame
0.8" CCAW Voice Coil, Kapton Former
Paper Cone, Cloth Surround
Strong Ferrite Magnet Motor System
Wide Frequency Range
Coaxial Driver



T-S Parameters

Resonance frequency [fs]	140 Hz
Mechanical Q factor [Qms]	8.966
Electrical Q factor [Qes]	0.904
Total Q factor [Qts]	0.821
Force factor [Bl]	4.21 Tm
Mechanical resistance [Rms]	0.229 kg/s
Moving mass [Mms]	0.96 g
Compliance [Cms]	0.466 mm/N
Effective diaph. diameter [D]	62 mm
Effective piston area [Sd]	31.17 cm ²
Equivalent volume [Vas]	0.6406 l
Sensitivity (2.83V/1m)	86 dB
Ratio Bl/√Re	1.508 N/√W
Ratio fs/Qts	203.3 Hz

Electrical Data

Nominal impedance [Zn]	8 Ω
Minimum impedance [Zmin]	6.923 Ω
Maximum impedance [Zo]	105.73 Ω
DC resistance [Re]	7.8 Ω
Voice coil inductance [Le]	0.221 mH

Power Handling

100h RMS noise test (IEC 18.4)	20 W
Long-term max power (IEC 18.2)	- W

Voice Coil & Magnet Data

Voice coil diameter	20.32 mm
Voice coil height	7.2 mm
Voice coil layers	4
Height of gap	3.5 mm
Linear excursion	± 1.85 mm
Max mech. excursion	± - mm
Unit weight	0.479 kg

