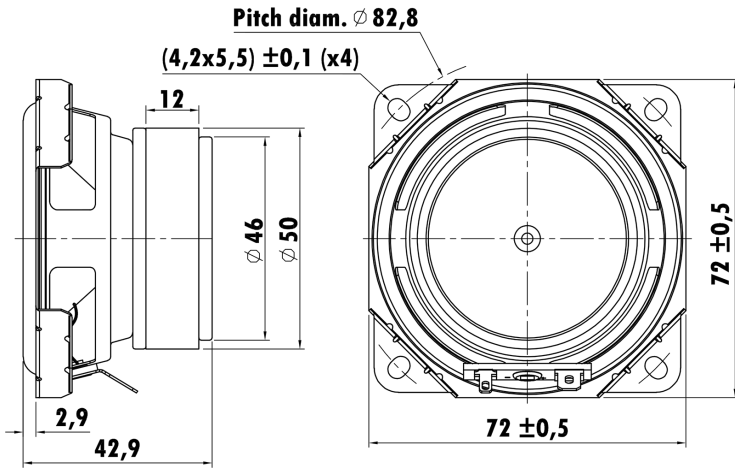


2.75", Steel Frame  
0.8" CCAW Voice Coil, Kapton Former  
Class Fiber Cone, Cloth Surround  
Strong Ferrite Magnet Motor System  
High Sensitivity, Wide Frequency Range  
PP Center Cap



### T-S Parameters

Resonance frequency [fs]	146.9 Hz
Mechanical Q factor [Qms]	4.471
Electrical Q factor [Qes]	1.1
Total Q factor [Qts]	0.887
Force factor [Bl]	3.675 Tm
Mechanical resistance [Rms]	0.448 kg/s
Moving mass [Mms]	2.17 g
Compliance [Cms]	0.54 mm/N
Effective diaph. diameter [D]	56 mm
Effective piston area [Sd]	23.76 cm <sup>2</sup>
Equivalent volume [Vas]	0.43 l
Sensitivity (2.83V/1m)	83 dB
Ratio Bl/√Re	1.346 N/√W
Ratio fs/Qts	165.6 Hz

### Electrical Data

Nominal impedance [Zn]	8 Ω
Minimum impedance [Zmin]	7.3 Ω
Maximum impedance [Zo]	21.2 Ω
DC resistance [Re]	7.46 Ω
Voice coil inductance [Le]	0.207 mH

### Power Handling

100h RMS noise test (IEC 17.1)	15 W
Long-term max power (IEC 17.3)	- W

### Voice Coil & Magnet Data

Voice coil diameter	20.32 mm
Voice coil height	7.1 mm
Voice coil layers	2
Height of gap	3 mm
Linear excursion	± 2.05 mm
Max mech. excursion	± - mm
Unit weight	0.245 kg

