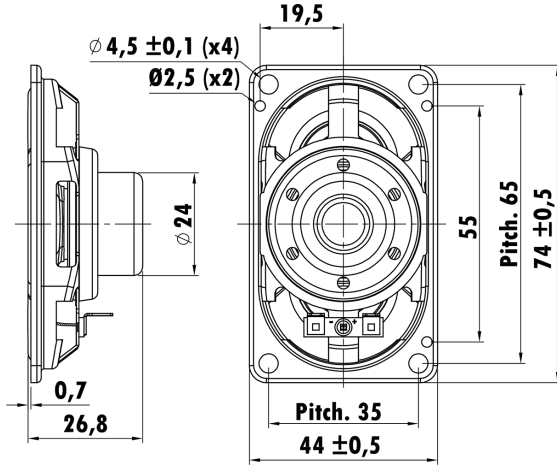


74mm x 44mm, Steel Frame
0.6" CCAW Voice Coil, Kapton Former
Paper Cone, TPU Surround
Dual Neodymium Magnet Motor
Waterproof Driver



T-S Parameters

Resonance frequency [fs]	168 Hz
Mechanical Q factor [Qms]	4.44
Electrical Q factor [Qes]	0.65
Total Q factor [Qts]	0.57
Force factor [Bl]	2.768 Tm
Mechanical resistance [Rms]	0.303 kg/s
Moving mass [Mms]	1.274 g
Compliance [Cms]	0.702 mm/N
Effective diaph. diameter [D]	59 x30.6 mm
Effective piston area [Sd]	16.04 cm ²
Equivalent volume [Vas]	0.298 l
Sensitivity (2.83V/1m)	86 dB
Ratio Bl/√Re	1.44 N/√W
Ratio fs/Qts	295 Hz

Electrical Data

Nominal impedance [Zn]	4 Ω
Minimum impedance [Zmin]	4.08 Ω
Maximum impedance [Zo]	18.91 Ω
DC resistance [Re]	3.7 Ω
Voice coil inductance [Le]	0.065 mH

Power Handling

100h RMS noise test (IEC 18.4)	5 W
Long-term max power (IEC 18.2)	10 W

Voice Coil & Magnet Data

Voice coil diameter	16.28 mm
Voice coil height	6.3 mm
Voice coil layers	2
Height of gap	2 mm
Linear excursion	± 2.15 mm
Max mech. excursion	± - mm
Unit weight	0.067 kg

