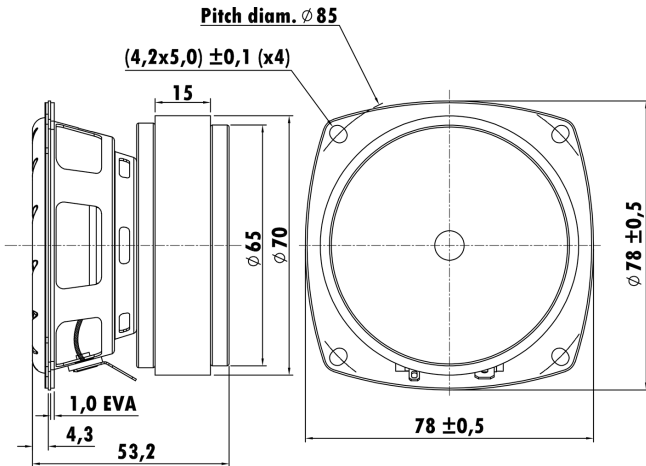


3", Steel Frame  
0.8" CCAW Voice Coil, Kapton Former  
Paper Cone, Cloth Surround  
Ferrite Magnet Motor System  
High Sensitivity



### T-S Parameters

Resonance frequency [fs]	158.9 Hz
Mechanical Q factor [Qms]	10.56
Electrical Q factor [Qes]	0.402
Total Q factor [Qts]	0.388
Force factor [Bl]	5.259 Tm
Mechanical resistance [Rms]	0.236 kg/s
Moving mass [Mms]	2.49 g
Compliance [Cms]	0.402 mm/N
Effective diaph. diameter [D]	63 mm
Effective piston area [Sd]	28.27 cm <sup>2</sup>
Equivalent volume [Vas]	0.455 l
Sensitivity (2.83V/1m)	89 dB
Ratio Bl/√Re	2.49 N/√W
Ratio fs/Qts	409.5 Hz

### Electrical Data

Nominal impedance [Zn]	6 Ω
Minimum impedance [Zmin]	6.1 Ω
Maximum impedance [Zo]	74.8 Ω
DC resistance [Re]	4.47 Ω
Voice coil inductance [Le]	0.178 mH

### Power Handling

100h RMS noise test (IEC 17.1)	10 W
Long-term max power (IEC 17.3)	- W

### Voice Coil & Magnet Data

Voice coil diameter	20.32 mm
Voice coil height	6.5 mm
Voice coil layers	2
Height of gap	5 mm
Linear excursion	± 0.75 mm
Max mech. excursion	± - mm
Unit weight	0.249 kg

