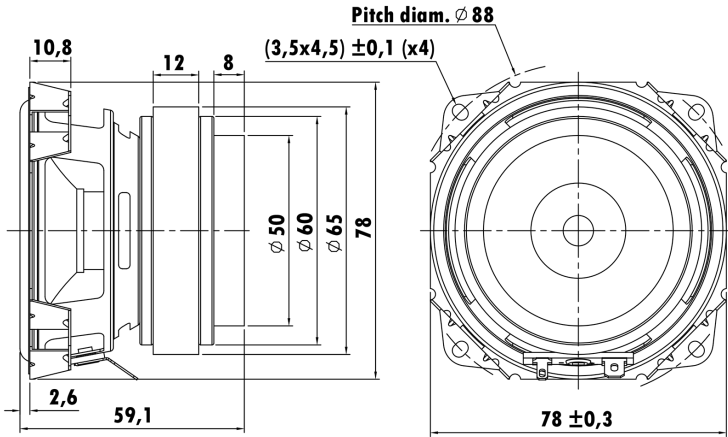


3", Steel Frame
0.8" PESVCCA Voice Coil, Polyimide Former
Paper Cone, Cloth Surround
Ternary Ferrite and Neodymium Motor System
Low Distortion (<3%)



T-S Parameters

Resonance frequency [fs]	165.2 Hz
Mechanical Q factor [Qms]	10.20
Electrical Q factor [Qes]	0.74
Total Q factor [Qts]	0.69
Force factor [Bl]	4.77 Tm
Mechanical resistance [Rms]	0.23 kg/s
Moving mass [Mms]	2.23 g
Compliance [Cms]	0.42 mm/N
Effective diaph. diameter [D]	62 mm
Effective piston area [Sd]	30.2 cm²
Equivalent volume [Vas]	0.5376 l
Sensitivity (2.83V/1m)	87 dB
Ratio Bl/√Re	0.65 N/√W
Ratio fs/Qts	239.42 Hz

Electrical Data

Nominal impedance [Zn]	8 Ω
Minimum impedance [Zmin]	7.4 Ω
Maximum impedance [Zo]	65.1 Ω
DC resistance [Re]	7.3 Ω
Voice coil inductance [Le]	0.18 mH

Power Handling

100h RMS noise test (IEC 18.4)	25 W
Long-term max power (IEC 18.2)	W

Voice Coil & Magnet Data

Voice coil diameter	20.32 mm
Voice coil height	7 mm
Voice coil layers	2
Height of gap	3.5 mm
Linear excursion	± 1.75 mm
Max mech. excursion	± mm
Unit weight	0.45 kg

