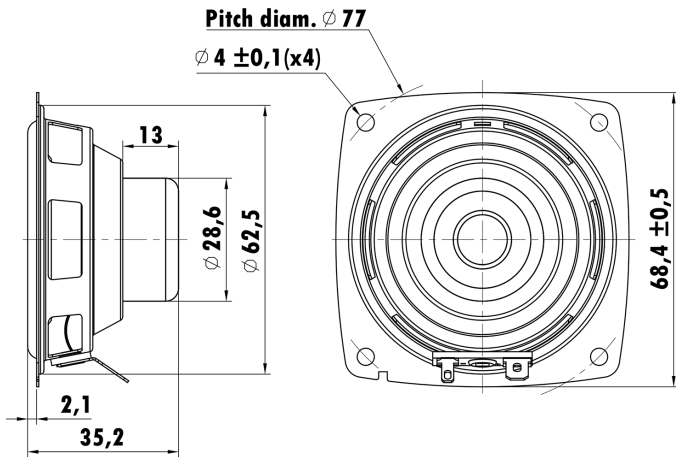


2.5", Steel Frame
0.8" CCAW Voice Coil, Kapton Former
Paper Cone, Rubber Surround
Dual Neodymium Magnet Motor System
High Sensitivity
Power Handling with High pass filter -12dB/OCT 140Hz



Prototype

T-S Parameters

Resonance frequency [fs]	157 Hz
Mechanical Q factor [Qms]	4.06
Electrical Q factor [Qes]	0.92
Total Q factor [Qts]	0.75
Force factor [Bl]	3.74 Tm
Mechanical resistance [Rms]	0.44 kg/s
Moving mass [Mms]	1.84 g
Compliance [Cms]	0.55 mm/N
Effective diaph. diameter [D]	49.5 mm
Effective piston area [Sd]	19.2 cm ²
Equivalent volume [Vas]	0.29 l
Sensitivity (2.83V/1m)	83 dB
Ratio Bl/√Re	1.4 N/√W
Ratio fs/Qts	209 Hz

Electrical Data

Nominal impedance [Zn]	8 Ω
Minimum impedance [Zmin]	6.8 Ω
Maximum impedance [Zo]	33.5 Ω
DC resistance [Re]	7.1 Ω
Voice coil inductance [Le]	0.2 mH

Power Handling

100h RMS noise test (IEC 18.4)	25 W
Long-term max power (IEC 18.2)	W

Voice Coil & Magnet Data

Voice coil diameter	20.32 mm
Voice coil height	4.6 mm
Voice coil layers	2
Height of gap	4 mm
Linear excursion	± 0.3 mm
Max mech. excursion	± - mm
Unit weight	0.085 kg

