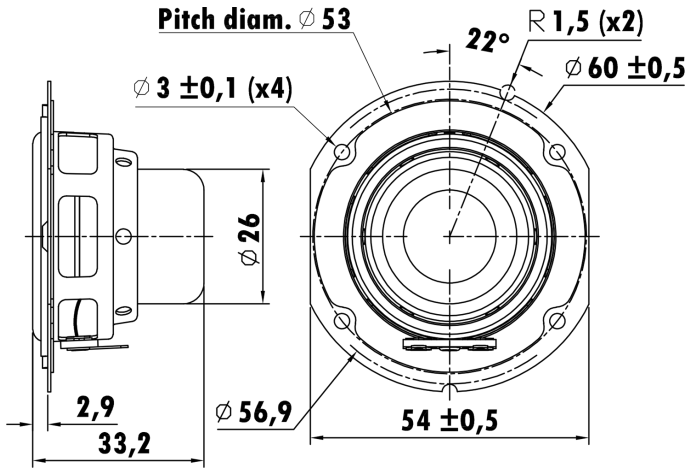


1.75", Steel Frame
0.6" CCAW Voice Coil, Kraft Former
Paper Cone, Rubber Surround
Dual Neodymium Magnet Motor System
Frame Under Spider Vent, Low Distortion (<3%)



T-S Parameters

Resonance frequency [fs]	228 Hz
Mechanical Q factor [Qms]	4.211
Electrical Q factor [Qes]	1.207
Total Q factor [Qts]	0.938
Force factor [Bl]	2.305 Tm
Mechanical resistance [Rms]	0.42 kg/s
Moving mass [Mms]	1.234 g
Compliance [Cms]	0.395 mm/N
Effective diaph. diameter [D]	36 mm
Effective piston area [Sd]	10.178 cm ²
Equivalent volume [Vas]	0.0579 l
Sensitivity (2.83V/1m)	83 dB
Ratio Bl/√Re	1.21 N/√W
Ratio fs/Qts	243.07 Hz

Electrical Data

Nominal impedance [Zn]	4 Ω
Minimum impedance [Zmin]	4.1 Ω
Maximum impedance [Zo]	16 Ω
DC resistance [Re]	3.63 Ω
Voice coil inductance [Le]	0.043 mH

Power Handling

100h RMS noise test (IEC 18.4)	2 W
Long-term max power (IEC 18.2)	- W

Voice Coil & Magnet Data

Voice coil diameter	16.28 mm
Voice coil height	5.0 mm
Voice coil layers	2
Height of gap	4 mm
Linear excursion	± 0.5 mm
Max mech. excursion	± - mm
Unit weight	0.073 kg

