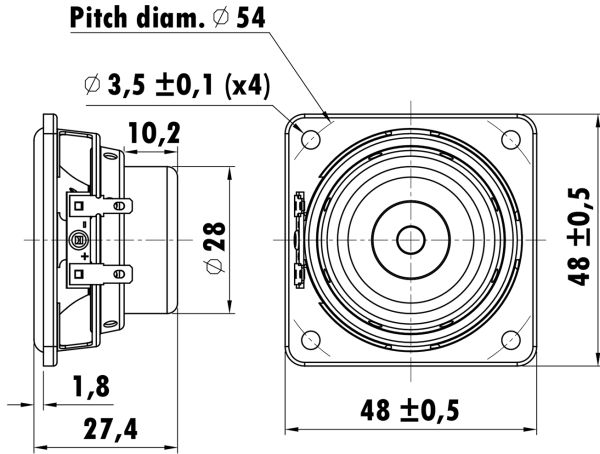


1.75", Steel Frame
0.8" PESVW Voice Coil, Kapton Former
Paper Cone, Rubber Surround
Neodymium Magnet Motor System
Waterproof Driver



T-S Parameters

Resonance frequency [fs]	163.5 Hz
Mechanical Q factor [Qms]	6.072
Electrical Q factor [Qes]	0.586
Total Q factor [Qts]	0.535
Force factor [Bl]	2.997 Tm
Mechanical resistance [Rms]	0.277 kg/s
Moving mass [Mms]	1.638 g
Compliance [Cms]	0.578 mm/N
Effective diaph. diameter [D]	37 mm
Effective piston area [Sd]	10.75 cm ²
Equivalent volume [Vas]	0.0946 l
Sensitivity (2.83V/1m)	83 dB
Ratio Bl/√Re	1.694 N/√W
Ratio fs/Qts	305.6 Hz

Electrical Data

Nominal impedance [Zn]	4 Ω
Minimum impedance [Zmin]	3.99 Ω
Maximum impedance [Zo]	43.09 Ω
DC resistance [Re]	3.13 Ω
Voice coil inductance [Le]	0.1 mH

Power Handling

100h RMS noise test (IEC 18.4)	5 W
Long-term max power (IEC 18.2)	W

Voice Coil & Magnet Data

Voice coil diameter	20.3 mm
Voice coil height	6.0 mm
Voice coil layers	2
Height of gap	3 mm
Linear excursion	± 1.5 mm
Max mech. excursion	± - mm
Unit weight	0.071 kg

