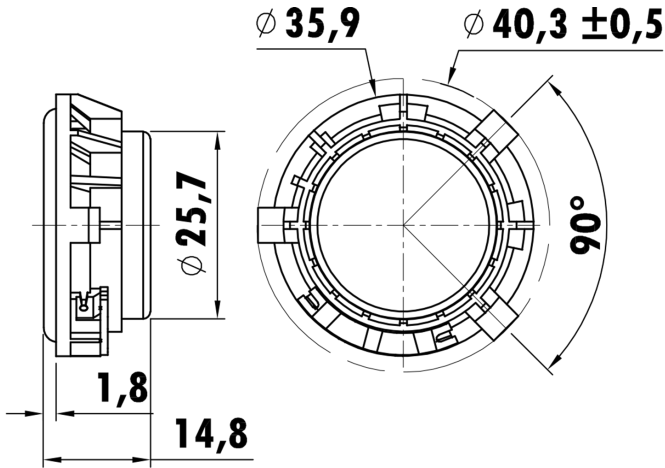


1.25", Plastic Frame
 0.8" PESVW Voice Coil , Aluminum Former
 Aluminum Diaphragm , Foam Surround
 Neodymium Magnet Motor System
 Spider-Less, Slim Design



Prototype

T-S Parameters

Resonance frequency [fs]	255 Hz
Mechanical Q factor [Qms]	2.759
Electrical Q factor [Qes]	1.103
Total Q factor [Qts]	0.788
Force factor [Bl]	2.075 Tm
Mechanical resistance [Rms]	0.467 kg/s
Moving mass [Mms]	0.803 g
Compliance [Cms]	0.483 mm/N
Effective diaph. diameter [D]	27.5 mm
Effective piston area [Sd]	5.94 cm ²
Equivalent volume [Vas]	0.024 l
Sensitivity (2.83V/1m)	81 dB
Ratio Bl/√Re	1.1 N/√W
Ratio fs/Qts	323 Hz

Electrical Data

Nominal impedance [Zn]	4 Ω
Minimum impedance [Zmin]	3.8 Ω
Maximum impedance [Zo]	7.8 Ω
DC resistance [Re]	3.6 Ω
Voice coil inductance [Le]	0.053 mH

Power Handling

100h RMS noise test (IEC 17.1)	3 W
Long-term max power (IEC 17.3)	- W

Voice Coil & Magnet Data

Voice coil diameter	20.32 mm
Voice coil height	3.4 mm
Voice coil layers	2
Height of gap	1.5 mm
Linear excursion	± 0.95 mm
Max mech. excursion	± - mm
Unit weight	0.0283 kg

