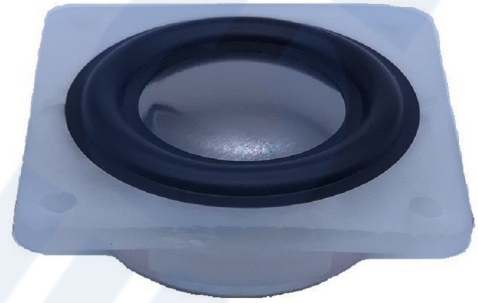
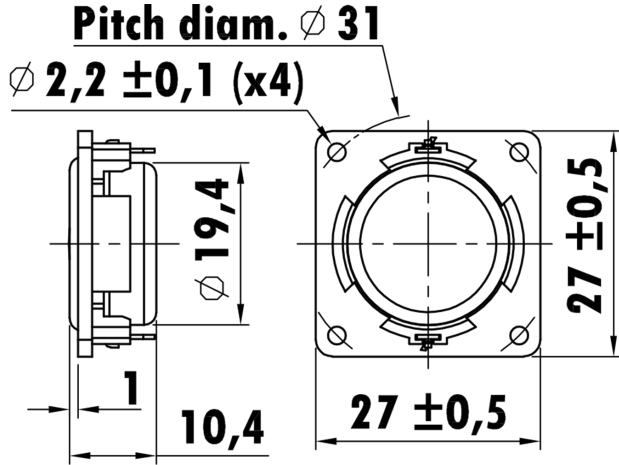


0.8", Plastic Frame
0.56" CCAW Voice Coil, Aluminum Former
Titanium Dome with Polyurethane Surround
Neodymium Magnet Motor System
Frequency Response Extended to 10 KHz
Spider-less



Prototype

T-S Parameters

Resonance frequency [fs]	468.7 Hz
Mechanical Q factor [Qms]	0.69
Electrical Q factor [Qes]	1.6
Total Q factor [Qts]	0.48
Force factor [Bl]	1.36 Tm
Mechanical resistance [Rms]	1.06 kg/s
Moving mass [Mms]	2.52 g
Compliance [Cms]	0.45 mm/N
Effective diaph. diameter [D]	18 mm
Effective piston area [Sd]	2.54 cm ²
Equivalent volume [Vas]	0.0042 l
Sensitivity (2.83V/1m)	80.5 dB
Ratio Bl/√Re	0.68 N/√W
Ratio fs/Qts	976.4 Hz

Electrical Data

Nominal impedance [Zn]	4 Ω
Minimum impedance [Zmin]	3.76 Ω
Maximum impedance [Zo]	5.92 Ω
DC resistance [Re]	4 Ω
Voice coil inductance [Le]	0.036 mH

Power Handling

100h RMS noise test (IEC 18.4)	1 W
Long-term max power (IEC 18.2)	1.5 W

Voice Coil & Magnet Data

Voice coil diameter	14.28 mm
Voice coil height	1.4 mm
Voice coil layers	4
Height of gap	1 mm
Linear excursion	± 0.2 mm
Max mech. excursion	± - mm
Unit weight	0.0137 kg

