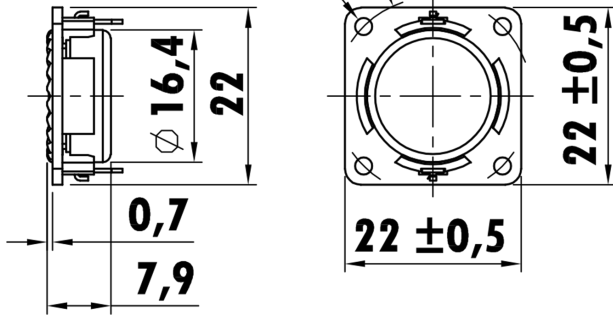


0.7", Plastic Frame
0.46" CCAW Voice Coil, Aluminum Former
Titanium Dome with Polyurethane Surround
Neodymium Magnet Motor System
Frequency Response Extended to 10 kHz
Spider-less

Pitch diam. \varnothing 24,5

\varnothing 2,2 \pm 0,1 (x4)



Prototype

T-S Parameters

Resonance frequency [fs]	578.6 Hz
Mechanical Q factor [Qms]	2.27
Electrical Q factor [Qes]	2
Total Q factor [Qts]	1.06
Force factor [Bl]	0.88 Tm
Mechanical resistance [Rms]	0.17 kg/s
Moving mass [Mms]	0.106 g
Compliance [Cms]	0.71 mm/N
Effective diaph. diameter [D]	15 mm
Effective piston area [Sd]	1.77 cm ²
Equivalent volume [Vas]	0.0031 l
Sensitivity (2.83V/1m)	79 dB
Ratio Bl/ \sqrt{Re}	0.44 N/ \sqrt{W}
Ratio fs/Qts	545.8 Hz

Electrical Data

Nominal impedance [Zn]	4 Ω
Minimum impedance [Zmin]	3.4 Ω
Maximum impedance [Zo]	4.9 Ω
DC resistance [Re]	4 Ω
Voice coil inductance [Le]	0.028 mH

Power Handling

100h RMS noise test (IEC 17.1)	1 W
Long-term max power (IEC 17.3)	1.5 W

Voice Coil & Magnet Data

Voice coil diameter	11.8 mm
Voice coil height	1.5 mm
Voice coil layers	4
Height of gap	1 mm
Linear excursion	\pm 0.25 mm
Max mech. excursion	\pm - mm
Unit weight	0.0082 kg

