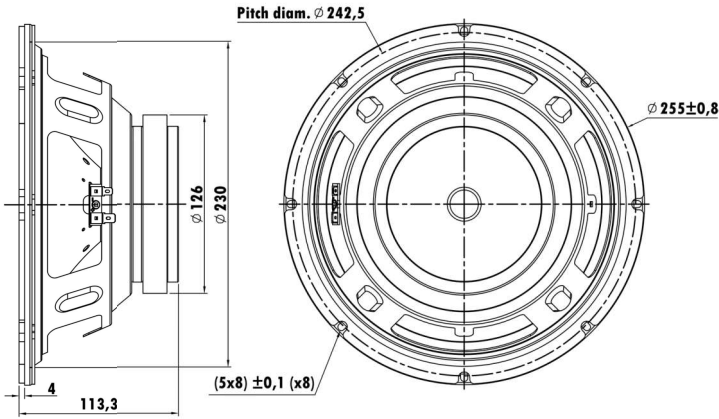


10", Steel Frame
2" 1-EIP2CAW Voice Coil, POLYIMIDE Former
Paper Pulp Diaphragm, Cloth Surround
Strong Ferrite Magnet Motor System
High Sensitivity, Low Distortion(<3%)
Professional use



T-S Parameters

Resonance frequency [fs]	61 Hz
Mechanical Q factor [Qms]	11.713
Electrical Q factor [Qes]	0.807
Total Q factor [Qts]	0.755
Force factor [Bl]	8.471 Tm
Mechanical resistance [Rms]	1.078 kg/s
Moving mass [Mms]	32.915 g
Compliance [Cms]	0.207 mm/N
Effective diaph. diameter [D]	210 mm
Effective piston area [Sd]	346.36 cm ²
Equivalent volume [Vas]	35.0669 l
Sensitivity (2.83V/1m)	95 dB
Ratio Bl/√Re	3.953 N/√W
Ratio fs/Qts	80.794 Hz

Electrical Data

Nominal impedance [Zn]	6 Ω
Minimum impedance [Zmin]	5.6 Ω
Maximum impedance [Zo]	39.2 Ω
DC resistance [Re]	4.59 Ω
Voice coil inductance [Le]	0.407 mH

Power Handling

100h RMS noise test (IEC 18.4)	150 W
Long-term max power (IEC 18.2)	W

Voice Coil & Magnet Data

Voice coil diameter	49.5 mm
Voice coil height	15.3 mm
Voice coil layers	2
Height of gap	8 mm
Linear excursion	± 3.65 mm
Max mech. excursion	± mm
Unit weight	2.6 kg

