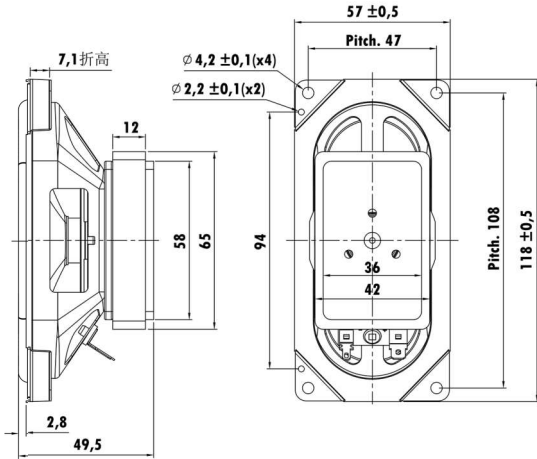


118mm x 57mm, Steel Frame  
0.6" PECCA W Voice Coil, Kapton Former  
Paper Cone, Rubber Surround  
Rectangle Ferrite Magnet Motor System  
For TV or Soundbar Product



## T-S Parameters

Resonance frequency [fs]	121 Hz
Mechanical Q factor [Qms]	7.07
Electrical Q factor [Qes]	1.53
Total Q factor [Qts]	1.26
Force factor [Bl]	3.73 Tm
Mechanical resistance [Rms]	0.56 kg/s
Moving mass [Mms]	5.18 g
Compliance [Cms]	0.34 mm/N
Effective diaph. diameter [D]	67.26 mm
Effective piston area [Sd]	34.53 cm <sup>2</sup>
Equivalent volume [Vas]	0.565 l
Sensitivity (2.83V/1m)	81 dB
Ratio Bl/√Re	1.61 N/√W
Ratio fs/Qts	96 Hz

## Electrical Data

Nominal impedance [Zn]	6 Ω
Minimum impedance [Zmin]	5.4 Ω
Maximum impedance [Zo]	23.4 Ω
DC resistance [Re]	5.4 Ω
Voice coil inductance [Le]	0.4 mH

## Power Handling

100h RMS noise test (IEC 18.4)	15 W
Long-term max power (IEC 18.2)	- W

## Voice Coil & Magnet Data

Voice coil diameter	16.28 mm
Voice coil height	11.3 mm
Voice coil layers	4
Height of gap	3 mm
Linear excursion	± 4.15 mm
Max mech. excursion	± - mm
Unit weight	0.296 kg

