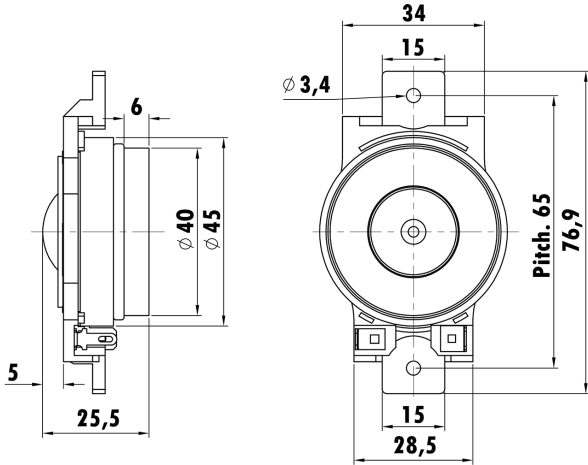


0.8", Plastic Frame  
Textile Dome Diaphragm  
Dual Ferrite Magnet Motor System  
With Ferrofluid-Cooled 2000 Cps



## T-S Parameters

Resonance frequency [fs]	2059 Hz
Mechanical Q factor [Qms]	0.76
Electrical Q factor [Qes]	8.25
Total Q factor [Qts]	0.69
Force factor [Bl]	0.99 Tm
Mechanical resistance [Rms]	1.93 kg/s
Moving mass [Mms]	0.11 g
Compliance [Cms]	0.052 mm/N
Effective diaph. diameter [D]	25 mm
Effective piston area [Sd]	4.9 cm <sup>2</sup>
Equivalent volume [Vas]	0.0018 l
Sensitivity (2.83V/1m)	84 dB
Ratio Bl/√Re	0.42 N/√W
Ratio fs/Qts	2984 Hz

## Electrical Data

Nominal impedance [Zn]	6 Ω
Minimum impedance [Zmin]	5.5 Ω
Maximum impedance [Zo]	5.6 Ω
DC resistance [Re]	5.5 Ω
Voice coil inductance [Le]	0.025 mH

## Power Handling

100h RMS noise test (IEC 17.1)	30 W
Long-term max power (IEC 17.3)	60 W

## Voice Coil & Magnet Data

Voice coil diameter	20.32 mm
Voice coil height	1.1 mm
Voice coil layers	2
Height of gap	1.1 mm
Linear excursion	± -0.45 mm
Max mech. excursion	± - mm
Unit weight	0.15 kg

