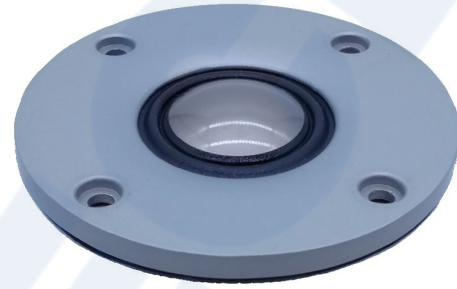
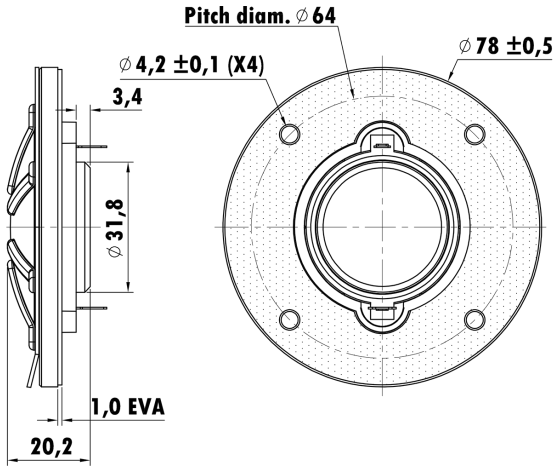


1", Die Cast Face Plate
1" CCAW Voice Coil, Aluminum Former
Ti Dome Diaphragm
Neodymium Magnet Motor System
With Ferrofluid-Cooled



T-S Parameters

Resonance frequency [fs]	2000 Hz
Mechanical Q factor [Qms]	0.84
Electrical Q factor [Qes]	2.59
Total Q factor [Qts]	0.64
Force factor [Bl]	3.05 Tm
Mechanical resistance [Rms]	3.63 kg/s
Moving mass [Mms]	0.25 g
Compliance [Cms]	0.03 mm/N
Effective diaph. diameter [D]	29.8 mm
Effective piston area [Sd]	7.0 cm ²
Equivalent volume [Vas]	0.0018 l
Sensitivity (2.83V/1m)	89 dB
Ratio Bl/ \sqrt{Re}	1.09 N/ \sqrt{W}
Ratio fs/Qts	3125 Hz

Electrical Data

Nominal impedance [Zn]	8 Ω
Minimum impedance [Zmin]	7.215 Ω
Maximum impedance [Zo]	9.867 Ω
DC resistance [Re]	7.9 Ω
Voice coil inductance [Le]	0.04 mH

Power Handling

100h RMS noise test (IEC 17.1)	30 W
Long-term max power (IEC 17.3)	- W

Voice Coil & Magnet Data

Voice coil diameter	25.4 mm
Voice coil height	1.9 mm
Voice coil layers	2
Height of gap	2 mm
Linear excursion	± 0.05 mm
Max mech. excursion	\pm - mm
Unit weight	0.0731 kg

