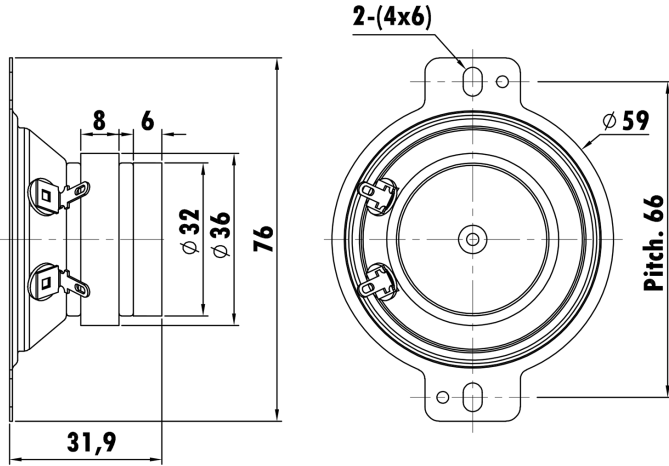


2", Steel Frame
0.5" PESVW Voice Coil, Kapton Former
With Paper Cone
Ferrite Magnet Motor System
With Ferrofluid-Cooled 2000 Cps
High Sensitivity



T-S Parameters

Resonance frequency [fs]	1766 Hz
Mechanical Q factor [Qms]	1.71
Electrical Q factor [Qes]	10.4
Total Q factor [Qts]	1.46
Force factor [Bl]	1.8 Tm
Mechanical resistance [Rms]	2.12 kg/s
Moving mass [Mms]	0.32 g
Compliance [Cms]	0.025 mm/N
Effective diaph. diameter [D]	43 mm
Effective piston area [Sd]	14.52 cm ²
Equivalent volume [Vas]	0.0074 l
Sensitivity (2.83V/1m)	89 dB
Ratio Bl/√Re	0.43 N/√W
Ratio fs/Qts	1209 Hz

Electrical Data

Nominal impedance [Zn]	10 Ω
Minimum impedance [Zmin]	9.3 Ω
Maximum impedance [Zo]	10.1 Ω
DC resistance [Re]	9.4 Ω
Voice coil inductance [Le]	0.079 mH
Power Handling	
100h RMS noise test (IEC 17.1)	35 W
Long-term max power (IEC 17.3)	100 W

Voice Coil & Magnet Data

Voice coil diameter	13.2 mm
Voice coil height	2.2 mm
Voice coil layers	2
Height of gap	2.2 mm
Linear excursion	± -0.4 mm
Max mech. excursion	± - mm
Unit weight	0.11 kg

