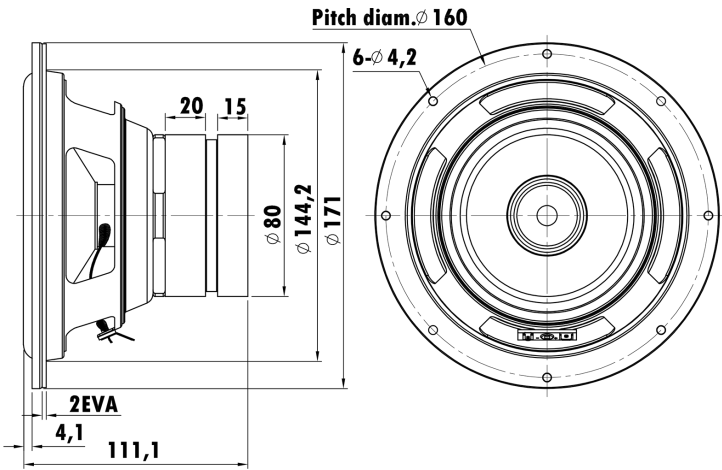


6.5", Steel Frame  
1.2"PESVW Voice Coil, Aluminum Former  
Paper Cone, Rubber Surround  
Dual Ferrite Magnet Motor System  
High Sensitivity



### T-S Parameters

Resonance frequency [fs]	57 Hz
Mechanical Q factor [Qms]	5.2
Electrical Q factor [Qes]	0.72
Total Q factor [Qts]	0.63
Force factor [Bl]	7.6 Tm
Mechanical resistance [Rms]	2.3 kg/s
Moving mass [Mms]	33.9 g
Compliance [Cms]	0.22 mm/N
Effective diaph. diameter [D]	130 mm
Effective piston area [Sd]	132.7 cm <sup>2</sup>
Equivalent volume [Vas]	5.7 l
Sensitivity (2.83V/1m)	87 dB
Ratio Bl/√Re	1.49 N/√W
Ratio fs/Qts	90.5 Hz

### Electrical Data

Nominal impedance [Zn]	4 Ω
Minimum impedance [Zmin]	4.2 Ω
Maximum impedance [Zo]	25.7 Ω
DC resistance [Re]	3.4 Ω
Voice coil inductance [Le]	1.1 mH

### Power Handling

100h RMS noise test (IEC 17.1)	100 W
Long-term max power (IEC 17.3)	200 W

### Voice Coil & Magnet Data

Voice coil diameter	30.5 mm
Voice coil height	13.5 mm
Voice coil layers	4
Height of gap	6 mm
Linear excursion	± 3.75 mm
Max mech. excursion	± - mm
Unit weight	1.352 kg

