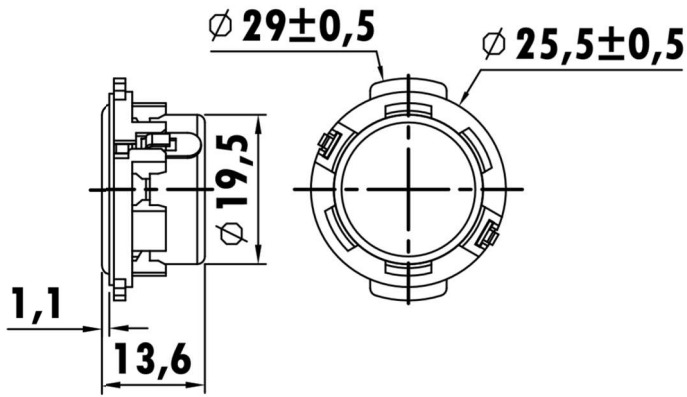


1", Plastic Frame
0.5" PEPSAW Voice Coil
Aluminum Diaphragm and NBR rubber
Neodymium magnet motor system



T-S Parameters

Resonance frequency [fs]	522.8 Hz
Mechanical Q factor [Qms]	1.90
Electrical Q factor [Qes]	3.30
Total Q factor [Qts]	1.20
Force factor [Bl]	1.29 Tm
Mechanical resistance [Rms]	0.51 kg/s
Moving mass [Mms]	0.29 g
Compliance [Cms]	0.31 mm/N
Effective diaph. diameter [D]	21 mm
Effective piston area [Sd]	3.46 cm ²
Equivalent volume [Vas]	0.0193 l
Sensitivity (2.83V/1m)	79 dB
Ratio Bl/√Re	0.53 N/√W
Ratio fs/Qts	435.66 Hz

Electrical Data

Nominal impedance [Zn]	6 Ω
Minimum impedance [Zmin]	6.3 Ω
Maximum impedance [Zo]	10.6 Ω
DC resistance [Re]	5.73 Ω
Voice coil inductance [Le]	0.038 mH

Power Handling

100h RMS noise test (IEC 18.4)	2 W
Long-term max power (IEC 18.2)	3 W

Voice Coil & Magnet Data

Voice coil diameter	14.28 mm
Voice coil height	3.1 mm
Voice coil layers	2
Height of gap	1.5 mm
Linear excursion	± 0.8 mm
Max mech. excursion	± - mm
Unit weight	0.015 kg

